



Model(s) ZTR6201

ZTR Exposed Sensor Piston Urinal Flush Valve for 1-1/4" Top Spud Urinals

TAG _____

Architectural/Engineering Specification:

Exposed chrome plated flushometer valve with a polished exterior.

PRODUCT FEATURES:

- Filtered Piston Kit Chloramine resistant
- Proprietary DR resistant low lead brass alloy
- Actuator Sensor powered by 4 "AA" batteries 3 year battery life on 48,000 activations per year
- Mechanical Manual Override Button
- Control Stop Internal siphon-guard protection Vandal resistant stop cap Sweat solder kit Cast wall flange with set screw
- Vacuum Breaker High back pressure One piece hex coupling nut
- Internal seals Chloramine resistant
- Adjustable tailpiece
- Spud coupling and flange for top spud connection



FLOW OPTIONS:

		Flush Volume	*WaterSense Labeled
<input type="checkbox"/>	-EWS	0.5 gpf	x
<input type="checkbox"/>	-WS1	1.0 gpf	
<input type="checkbox"/>	-WS	1.5 gpf	

SUFFIX OPTIONS:

<input type="checkbox"/>	-YJ	Split Ring Pipe Support
<input type="checkbox"/>	-YK	Solid Ring Pipe Support

Product Compliance: ADA

*Complies with ADA & ICC A117.1 accessibility requirements when installed according to the requirements outlined in these standards.

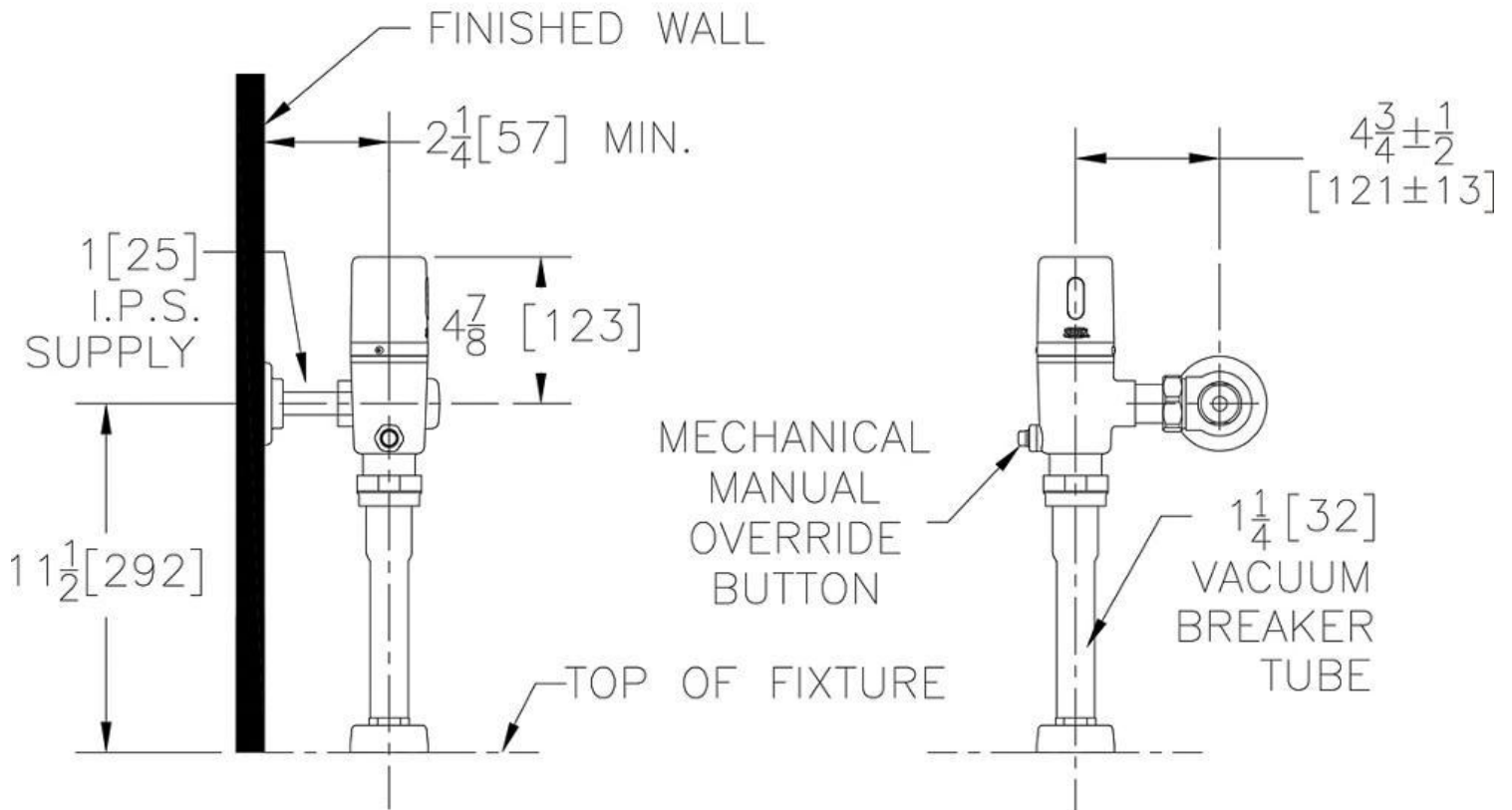
**Although products with certain combinations of options and features will meet or comply with these standards and/or certifications, not every combination of options and features will result in such compliance. If you have any questions about your particular product, please contact our Customer Care Dept. at 1-855-ONE-ZURN (United States) or 1-877-892-5216 (Canada) for confirmation.*

[Installation Guide - fv541.pdf](#)

Architectural/Engineering Approval

Design and dimensional data (inches and [mm]) are subject to manufacturing tolerances and change without notice.

⚠ WARNING: Cancer and Reproductive Harm – www.P65warnings.ca.gov
 ⚠ ADVERTENCIA: Cáncer y daño reproductivo – www.P65warnings.ca.gov
 ⚠ AVERTISSEMENT: Cancer et effets néfastes sur la reproduction – www.P65warnings.ca.gov



NOTE: All dimensions are for reference only. Do not use for pre-plumbing.

Design and dimensional data (inches and [mm]) are subject to manufacturing tolerances and change without notice.

⚠ WARNING: Cancer and Reproductive Harm - www.P65warnings.ca.gov
 ⚠ ADVERTENCIA: Cáncer y daño reproductivo - www.P65warnings.ca.gov
 ⚠ AVERTISSEMENT: Cancer et effets néfastes sur la reproduction - www.P65warnings.ca.gov