

### Architectural/Engineering Specification:

Zurn Connected Flush Valve transmit data 24/7 to the Zurn plumbSMART™ web portal and mobile app. Proactively monitor your flush activations and water usage, receive real-time alerts for preset high and low usage parameters, and access system data for trends and predictive maintenance anytime and anywhere.

AquaSense® Sensor Flush Valves are ideal for high-use applications where durability and hands-free operation are necessary. ADA compliant, battery powered, sensor operated for retrofit and new construction. Unit is furnished with a clog resistant piston and manual override button. Included as standard are 4 “AA” Lithium batteries.



### PRODUCT FEATURES:

plumbSmart Portal

- Know water consumption
- Track uses per fixture
- Receive real-time alerts
- Manage maintenance tasks
- Receive insights on your data

Flush Valve

- Proprietary Dezincification resistant low lead brass alloy
- Control Stop has internal siphon-guard protection and vandal resistant stop cap, Sweat solder kit, wall flange with set screw
- High back pressure Vacuum Breaker with one piece hex coupling nut
- Chloramine resistant internal seals
- Adjustable tailpiece
- Spud coupling and flange for top spud connection

### Product Compliance:

ADA  
 ASSE 1037/ASME A112.1037/CSA B125.37  
 ASSE 1037  
 CSA B125.37  
 IPC  
 WaterSense

\*Complies with ADA & ICC A117.1 accessibility requirements when installed according to the requirements outlined in these standards.



\*This product should be used with a WaterSense labeled counterpart with a compatible flow volume to ensure that the entire system meets the requirements for water efficiency and performance.

### VALVE HEIGHT OPTIONS:

		Vacuum Tube Length	Rough-in Height “A”
<input type="checkbox"/>	Standard	8-1/2” [216”]	11-1/2” [292]
<input type="checkbox"/>	-1	13” [330]	16” [406]

### FLOW OPTIONS:

		Flush Volume	Dual Flush
<input type="checkbox"/>	-ONE	1.1 gpf	
<input type="checkbox"/>	-EV	1.28 gpf	
<input type="checkbox"/>	-WS1	1.6 gpf	1.6/1.1 gpf
<input type="checkbox"/>	-WS1	1.6 gpf	
<input type="checkbox"/>	-Standard	3.5 gpf	

\*\* Not available with triple filter by-pass

### SUFFIX OPTIONS:

<input type="checkbox"/>	-DF	Dual Flush (See Chart Above)
<input type="checkbox"/>	-YJ	Split Ring Pipe Support
<input type="checkbox"/>	-YK	Solid Ring Pipe Support

\*Although products with certain combinations of options and features will meet or comply with these standards and/or certifications, not every combination of options and features will result in such compliance. If you have any questions about your particular product, please contact our Customer Care Dept. at 1-855-ONE-ZURN (United States) or 1-877-892-5216 (Canada) for confirmation.

[Installation Guide - FV722](#)

### GATEWAY OPTIONS: (Required & Sold Separately)

Connected Endpoint	
<input type="checkbox"/>	-LTE ZGW-LORA-W1-LTE
Note: plumbSMART™ is free-to-connect to a basic plan with an option to upgrade to a premium plan.	
Note: LTE charges will apply to basic plan	

Architectural/Engineering Approval

Design and dimensional data (inches and [mm]) are subject to manufacturing tolerances and change without notice.

⚠ WARNING: Cancer and Reproductive Harm – [www.P65warnings.ca.gov](http://www.P65warnings.ca.gov)  
 ⚠ ADVERTENCIA: Cáncer y daño reproductivo – [www.P65warnings.ca.gov](http://www.P65warnings.ca.gov)  
 ⚠ AVERTISSEMENT: Cancer et effets néfastes sur la reproduction – [www.P65warnings.ca.gov](http://www.P65warnings.ca.gov)

**TECHNICAL SPECIFICATION:**

Connected Endpoint	
•	Communicates wirelessly to Zurn Gateway
•	4 Shared “AA” Lithium batteries (included)
•	3 year battery life
Zurn Gateway	
•	Communicates via Ethernet or LTE
•	Works with all Zurn connected devices
•	Connects all endpoints up to 1,000 ft radius
•	After purchase request your gateway at: <a href="http://zurn.com/plumbsmart-gateway">zurn.com/plumbsmart-gateway</a> or Call 1-844-987-6737



**How it works:**

Integrated sensors continuously monitor flush valve activations and water usage. This data is transmitted to the Zurn gateway via LoRa communication. The Zurn gateway passes the data into the Zurn cloud where the data is enriched and presented in the plumbSMART web portal and mobile app. Facilities managers and/or maintenance personnel can view all data and trends in the plumbSMART™ portal and may opt to receive real-time alerts via email, text message and/or push notifications if any of these readings exceed customizable parameters for high hourly or daily usage levels. All notifications and alert parameters are adjustable via the plumbSMART™ portal. A maintenance planning tool and data insights hub are available in plumbSMART. For more information, visit <https://www.zurn.com/innovation-efficiency/plumbSMART>.

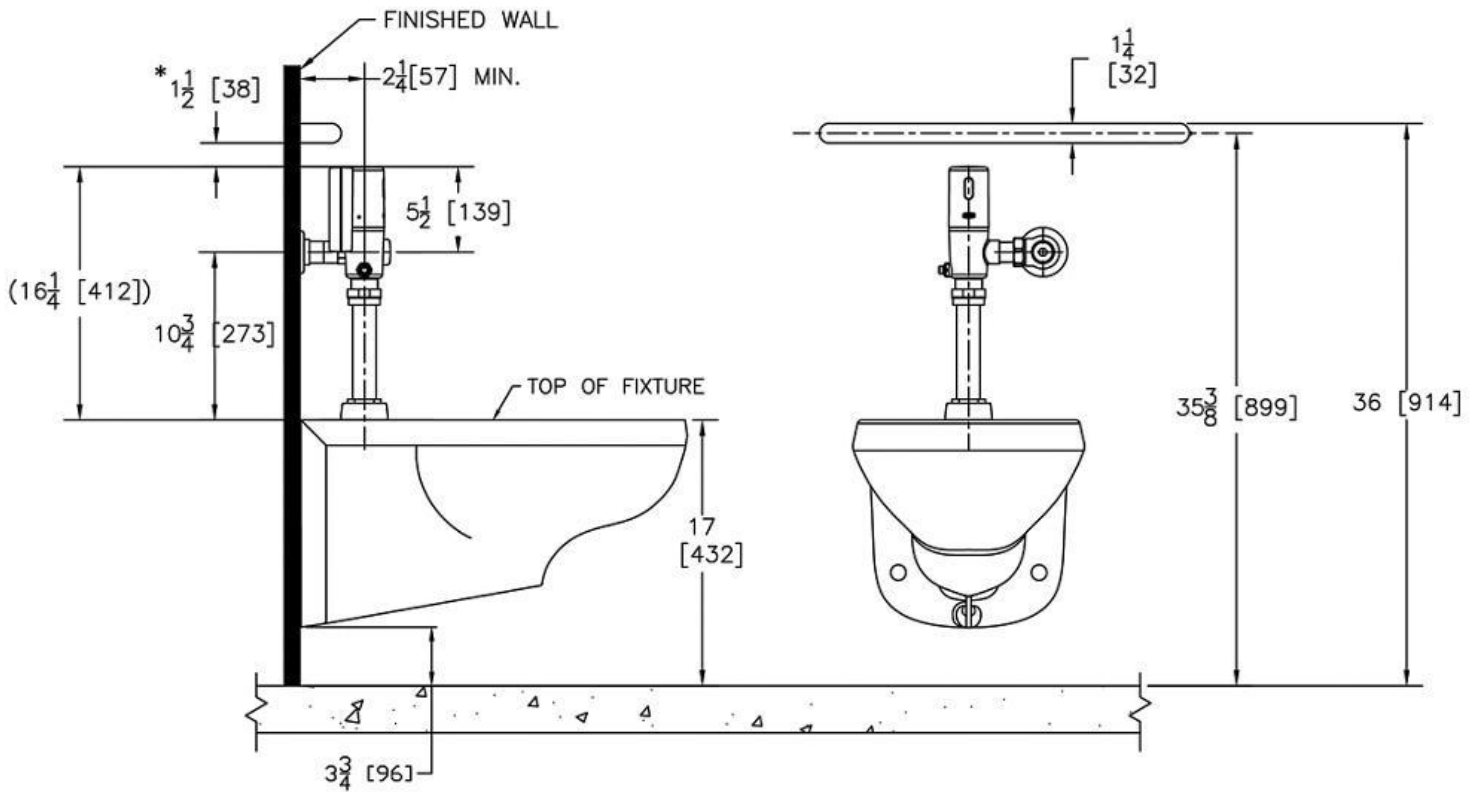
To access the plumbSMART™ portal, a Zurn Gateway must be installed within 1,000 feet of the connected product, and connected products must be registered in the Zurn plumbSMART™ portal. A single Zurn Gateway can be used to connect hundreds of Zurn connected plumbing products.

**Connecting to the plumbSMART™ Portal:**

1. Visit [www.zurn.com/plumbSMART-connect](http://www.zurn.com/plumbSMART-connect) to save time and money on your installation. You can also call us at 844-987-6737
2. Provide the serial number and contact name, email address, and basic information about the installation site.
3. We will activate your plumbSMART™ account, set up your enterprise, and give you guidance on how to register each connected product as you install it.
4. We will send a confirmation email with a link, or you can go to [plumbsmart.zurn.com](http://plumbsmart.zurn.com) to log into your plumbSMART™ account for the first time.
5. Add other users and installers to your plumbSMART™ account.
6. Make sure you and/or your installers have the plumbSMART™ mobile app, which you can download from the iPhone App Store or Google Play.
7. Using the mobile app, scan or enter the serial number to register and locate each connected plumbing product as you install it.
8. Watch the how-to videos in the plumbSMART™ portal’s support section if you get stuck, or call us at 844-987-6737 for support.



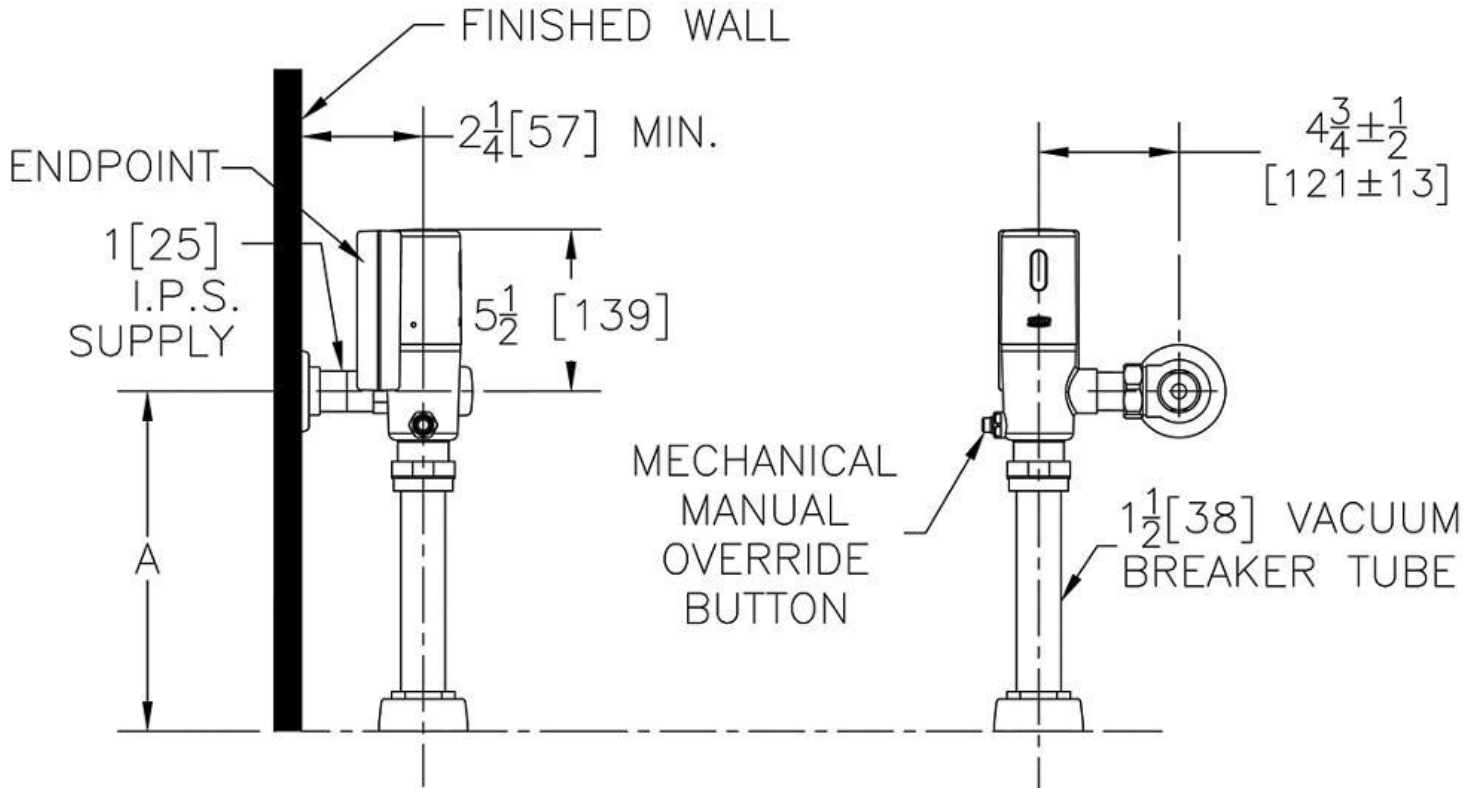
Alternate ADA Installation



- Water supply rough-in to 10 3/4" (minimum) with grab bar at 36".
- ADA compliance met using 1 1/4" grab bar as shown.
- \*ADA compliant minimum gap between wall and grab bar 1 1/2".
- Does not meet California ADA compliance for grab bar height. (33" grab bar centerline required)

Design and dimensional data (inches and [mm]) are subject to manufacturing tolerances and change without notice.

⚠ WARNING: Cancer and Reproductive Harm - [www.P65warnings.ca.gov](http://www.P65warnings.ca.gov)  
 ⚠ ADVERTENCIA: Cáncer y daño reproductivo - [www.P65warnings.ca.gov](http://www.P65warnings.ca.gov)  
 ⚠ AVERTISSEMENT: Cancer et effets néfastes sur la reproduction - [www.P65warnings.ca.gov](http://www.P65warnings.ca.gov)



NOTE: All dimensions are for reference only. Do not use for pre-plumbing.

Design and dimensional data (inches and [mm]) are subject to manufacturing tolerances and change without notice.

⚠ WARNING: Cancer and Reproductive Harm - [www.P65warnings.ca.gov](http://www.P65warnings.ca.gov)  
 ⚠ ADVERTENCIA: Cáncer y daño reproductivo - [www.P65warnings.ca.gov](http://www.P65warnings.ca.gov)  
 ⚠ AVERTISSEMENT: Cancer et effets néfastes sur la reproduction - [www.P65warnings.ca.gov](http://www.P65warnings.ca.gov)