



Model(s) ZH6613AV-MBP

AquaVantage AV® Concealed Hydraulic Actuation Flush Valve for Penal 3/4" Urinal Fixtures

TAG

Architectural/Engineering Specification:

Concealed quiet diaphragm type rough brass flushometer valve with Zurn's AquaVantage TPE, chloramine resistant, dual seal diaphragm with clog resistant, triple filtered by-pass.

PRODUCT FEATURES:

- Clog-resistant triple filter diaphragm
- Chemical resistant gaskets and seals for extended service life with lower maintenance costs
- Hydraulically activated flush valve for penal applications

FLOW OPTIONS:

		Flush Volume	*WaterSense Labeled
<input type="checkbox"/>	-ULF**	0.125 gpf	x
<input type="checkbox"/>	-EWS**	0.5 gpf	x
<input type="checkbox"/>	-WS1	1.0 gpf	
<input type="checkbox"/>	-Standard	1.5 gpf	

** Not available with triple filter by-pass



Product Compliance: ADA

*Complies with ADA & ICC A117.1 accessibility requirements when installed according to the requirements outlined in these standards.

**Although products with certain combinations of options and features will meet or comply with these standards and/or certifications, not every combination of options and features will result in such compliance. If you have any questions about your particular product, please contact our Customer Care Dept. at 1-855-ONE-ZURN (United States) or 1-877-892-5216 (Canada) for confirmation.*

[Installation Guide - FV247.pdf](#)

Architectural/Engineering Approval

Design and dimensional data (inches and [mm]) are subject to manufacturing tolerances and change without notice.

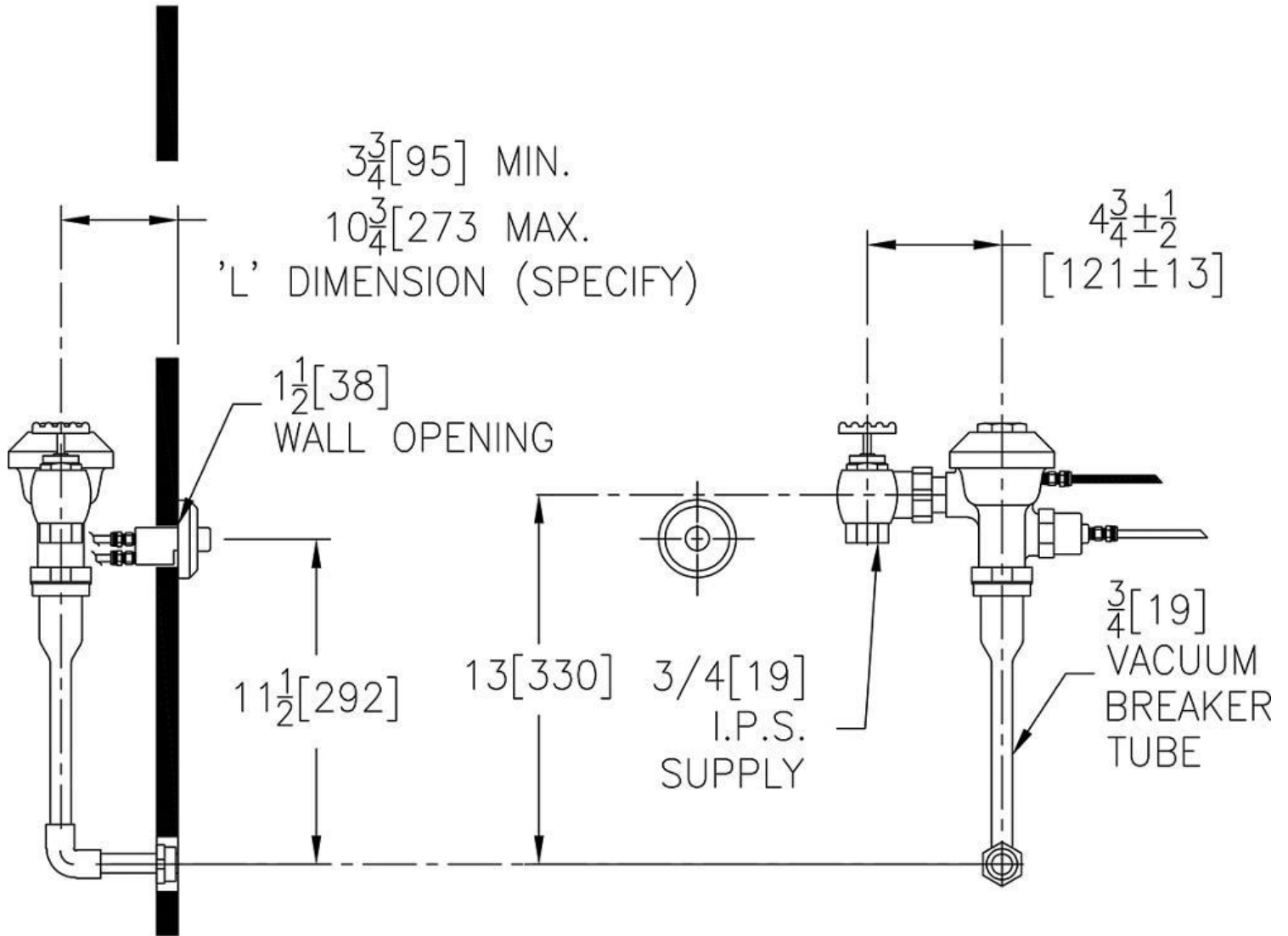
⚠ WARNING: Cancer and Reproductive Harm – www.P65warnings.ca.gov
⚠ ADVERTENCIA: Cáncer y daño reproductivo – www.P65warnings.ca.gov
⚠ AVERTISSEMENT: Cancer et effets néfastes sur la reproduction – www.P65warnings.ca.gov



Model(s) ZH6613AV-MBP

AquaVantage AV® Concealed Hydraulic Actuation Flush Valve for Penal
3/4" Urinal Fixtures

TAG



NOTE: All dimensions are for reference only. Do not use for pre-plumbing.

Design and dimensional data (inches and [mm]) are subject to manufacturing tolerances and change without notice.

⚠ WARNING: Cancer and Reproductive Harm - www.P65warnings.ca.gov

⚠ ADVERTENCIA: Cáncer y daño reproductivo - www.P65warnings.ca.gov

⚠ AVERTISSEMENT: Cancer et effets néfastes sur la reproduction - www.P65warnings.ca.gov