



Model(s) ZH6197AV

Concealed Hydraulic Actuation Flush Valve for Urinals

TAG

Architectural/Engineering Specification:

Concealed, quiet diaphragm-type, rough brass, flushometer valve with Zurn's AquaVantage TPE, chloramine resistant, dual seal diaphragm with clog resistant, triple filtered by-pass. The valve incorporates a non-hold-open type feature with a hydraulic push button actuator that may be located up to 36"[914] when fixture wall mounted (-FW option) and 72"[2133] when side wall mounted (-SW option) from the valve and a 3/4"[19] wheel handle operated angle stop valve with siphon-gard backcheck protection. The valve is furnished complete with a sweat solder kit, vacuum breaker, 3/4"[19] flush tube, elbow flush connection, fixture spud escutcheon, and fixture spud securing nut.

PRODUCT FEATURES:

- Zurn's AquaVantage® TPE diaphragm Clog Resistant Triple filtered by -pass Chloramine resistant Dual seal
- Proprietary DR resistant low lead brass alloy
- Actuator ADA compliant Non -hold open type hydraulic push button
- Control Stop Internal siphon -guard protection Vandal resistant stop cap Sweat solder kit Cast wall flange with set screw
- Vacuum Breaker High back pressure One piece hex coupling nut
- Internal seals Chloramine resistant
- Adjustable tailpiece
- Spud coupling and flange for top spud connection

FLOW OPTIONS:

		Flush Volume	*WaterSense Labeled
<input type="checkbox"/>	-ULF**	0.125 gpf	X
<input type="checkbox"/>	-EWS**	0.5 gpf	X
<input type="checkbox"/>	-WS1	1.0 gpf	
<input type="checkbox"/>	-Standard	1.5 gpf	

** Not available with triple filter by-pass

SUFFIX OPTIONS:

<input type="checkbox"/>	-WP	Wall Plate for Push Button (ZP-50)
--------------------------	-----	------------------------------------



Product Compliance:

ADA
 ASSE 1037/ASME A112.1037/CSA B125.37
 ASSE 1037
 CSA B125.37

*Complies with ADA & ICC A117.1 accessibility requirements when installed according to the requirements outlined in these standards.

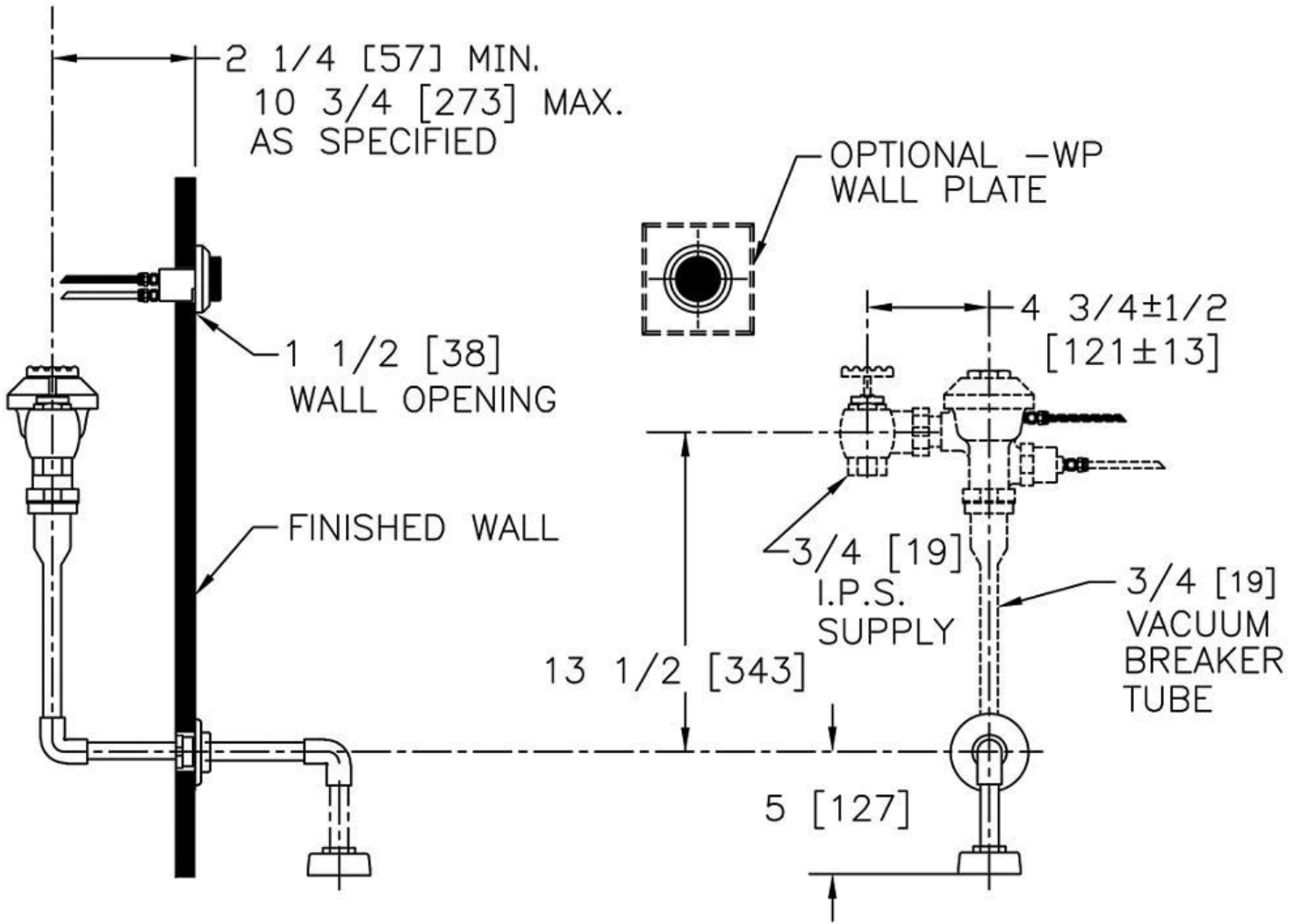
**Although products with certain combinations of options and features will meet or comply with these standards and/or certifications, not every combination of options and features will result in such compliance. If you have any questions about your particular product, please contact our Customer Care Dept. at 1-855-ONE-ZURN (United States) or 1-877-892-5216 (Canada) for confirmation.*

[Installation Guide - FV241.pdf](#)

Architectural/Engineering Approval

Design and dimensional data (inches and [mm]) are subject to manufacturing tolerances and change without notice.

⚠ WARNING: Cancer and Reproductive Harm – www.P65warnings.ca.gov
 ⚠ ADVERTENCIA: Cáncer y daño reproductivo – www.P65warnings.ca.gov
 ⚠ AVERTISSEMENT: Cancer et effets néfastes sur la reproduction – www.P65warnings.ca.gov



NOTE: All dimensions are for reference only. Do not use for pre-plumbing.

Design and dimensional data (inches and [mm]) are subject to manufacturing tolerances and change without notice.

⚠ WARNING: Cancer and Reproductive Harm - www.P65warnings.ca.gov
 ⚠ ADVERTENCIA: Cáncer y daño reproductivo - www.P65warnings.ca.gov
 ⚠ AVERTISSEMENT: Cancer et effets néfastes sur la reproduction - www.P65warnings.ca.gov