

Architectural/Engineering Specification:

Create a more hygienic, sustainable and reliable restroom experience. This 0.5 GPM sensor faucet has a gear-driven ceramic cartridge with no solenoids to replace. Hydro•X Power® technology offers renewable hydropower. The high-efficiency, low-flow rate and 30-second timeout help save water to meet sustainability goals. Bluetooth app standard for point-of-use wireless programmable metering, on-demand or automatic line flushing, timeout and sensor sensitivity settings. Upgrade to the plumbSMART™ connected option for remote monitoring that provides real-time usage insights to your connected plumbing ecosystem. Zurn Connected Faucets transmit data 24/7 to the Zurn plumbSMART™ web portal and mobile app. Proactively monitor your faucet activations and water usage, receive real-time alerts for preset high and low usage parameters, and access system data for trends and predictive maintenance anytime and anywhere.

Zurn AquaSense® Sensor Faucets create a more hygienic, sustainable, and reliable restroom experience by utilizing gear-driven ceramic cartridge operation with no solenoids to replace and renewable hydropower. The standard high-efficiency, 0.5 GPM low-flow rate and adjustable timeout feature help save water to meet sustainability goals. Customize usage settings wirelessly by using Zurn Elkay's Bluetooth app, PlumbPro. Zurn Lead Free products are durable, high quality brass faucets and fixtures that are designed and manufactured to comply with Section 1417 of the Safe Drinking Water Act (SDWA) which mandates the weighted average lead content of no more than 0.25% of the wetted surface.

PRODUCT FEATURES:

plumbSmart Portal

- Know water consumption
- Track uses per fixture
- Receive real-time alerts
- Manage maintenance tasks
- Receive insights on your data

Faucet

- Uses EZ Gear technology, a motor gear-driven ceramic cartridge that is less susceptible to debris and easy maintenance
- Hydro•X Power® technology delivers sustainable performance by providing renewable, uninterrupted hydropower designed to last the life of a commercial restroom
- Intuitive and effortless, no-delay touchless sensor water activation
- Bluetooth-enabled for point-of-use wireless adjustability
 - Adjustable Time Out Feature (30-second default time out)
 - Hygienic Line Flushing (on-demand or programmed)
 - Sensing modes (on-demand or metering)
 - Sensor Range Adjustment
 - Battery Status
- Quiet water flow and soft-close technology eliminates water hammer
- Polished chrome standard finish, brushed nickel and matte black available
- Communicates wirelessly to Zurn gateway

SUFFIX OPTIONS:

| | | |
|--------------------------|------|--------------------------------|
| <input type="checkbox"/> | -ADM | Above-Deck Mixer |
| <input type="checkbox"/> | -CP4 | Cover Plate 4" [102mm] Centers |
| <input type="checkbox"/> | -CP8 | Cover Plate 8" [203mm] Centers |
| <input type="checkbox"/> | -MV | Temperature Mixing Valve |



Product Compliance: ADA
NSF 61
NSF 372

*Complies with ADA & ICC A117.1 accessibility requirements when installed according to the requirements outlined in these standards.

*Although products with certain combinations of options and features will meet or comply with these standards and/or certifications, not every combination of options and features will result in such compliance. If you have any questions about your particular product, please contact our Customer Care Dept. at 1-855-ONE-ZURN (United States) or 1-877-892-5216 (Canada) for confirmation.

[Installation Guide - FV846.pdf](#)

[Warranty - general-terms-and-conditions.pdf \(PDF\)](#)

AERATOR OPTIONS:

| | Suffix | Flowrate GPM [L] | Vandal- Resistant | WaterSense® Labeled | Pressure Compensating | Outlet Type |
|--------------------------|---------------|---------------------|----------------------|------------------------|--------------------------|-------------|
| <input type="checkbox"/> | - Standard | | x | | | Spray |
| <input type="checkbox"/> | -E | 1.5 GPM [5.7L] | x | x | | Aerator |
| <input type="checkbox"/> | -J | 1.5 GPM [5.7L] | x | x | | Laminar |
| <input type="checkbox"/> | -K | 1.0 GPM [3.8L] | x | x | | Laminar |
| <input type="checkbox"/> | -L | 1.0 GPM [3.8L] | x | x | | Aerator |
| <input type="checkbox"/> | -M | 0.35 GPM [1.3L] | x | | | Spray |
| <input type="checkbox"/> | -N | 0.5 GPM [1.9L] | x | | | Laminar |

Architectural/Engineering Approval

Design and dimensional data (inches and [mm]) are subject to manufacturing tolerances and change without notice.

⚠ WARNING: Cancer and Reproductive Harm – www.P65warnings.ca.gov

⚠ ADVERTENCIA: Cáncer y daño reproductivo – www.P65warnings.ca.gov

⚠ AVERTISSEMENT: Cancer et effets néfastes sur la reproduction – www.P65warnings.ca.gov

| | | |
|--------------------------|--------|---|
| <input type="checkbox"/> | -SH | Three Supply Hoses for Mixing Valve |
| <input type="checkbox"/> | -SSH | Single Supply Hose |
| <input type="checkbox"/> | -TMV-1 | Thermostatic Mixing Valve for Single Faucets (ASSE Listed 1070) |

POWER OPTIONS:

| | | |
|--------------------------|---------------------|--|
| | Power Supply Option | |
| <input type="checkbox"/> | -ACA | 6-VDC plug-in power converter |
| <input type="checkbox"/> | -CWB | Connector wire for plug-in power converter |

TECHNICAL SPECIFICATION:

| | |
|--------------------|---|
| Connected Endpoint | |
| • | Communicates wirelessly to Zurn Gateway |
| Zurn Gateway | |
| • | Communicates via Ethernet or LTE |
| • | Works with all Zurn connected devices |
| • | Connects all endpoints up to 1,000 ft radius |
| • | After purchase request your gateway at: zurn.com/plumbsmart-gateway or Call 1-844-987-6737 |



GATEWAY OPTIONS:
(Required & Sold Separately)

| | |
|---|----------------------|
| Connected Endpoint | |
| <input type="checkbox"/> | -LTE ZGW-LORA-W1-LTE |
| Note: plumbSMART™ is free-to-connect to a basic plan with an option to upgrade to a premium plan. | |
| Note: LTE charges will apply to basic plan | |

How it works:

Integrated sensors continuously monitor flush valve activations and water usage. This data is transmitted to the Zurn gateway via LoRa communication. The Zurn gateway passes the data into the Zurn cloud where the data is enriched and presented in the plumbSMART web portal and mobile app. Facilities managers and/or maintenance personnel can view all data and trends in the plumbSMART™ portal and may opt to receive real-time alerts via email, text message and/or push notifications if any of these readings exceed customizable parameters for high hourly or daily usage levels. All notifications and alert parameters are adjustable via the plumbSMART™ portal. A maintenance planning tool and data insights hub are available in plumbSMART. For more information, visit <https://www.zurn.com/innovation-efficiency/plumbSMART>.

To access the plumbSMART™ portal, a Zurn Gateway must be installed within 1,000 feet of the connected product, and connected products must be registered in the Zurn plumbSMART™ portal. A single Zurn Gateway can be used to connect hundreds of Zurn connected plumbing products.

Connecting to the plumbSMART™ Portal:

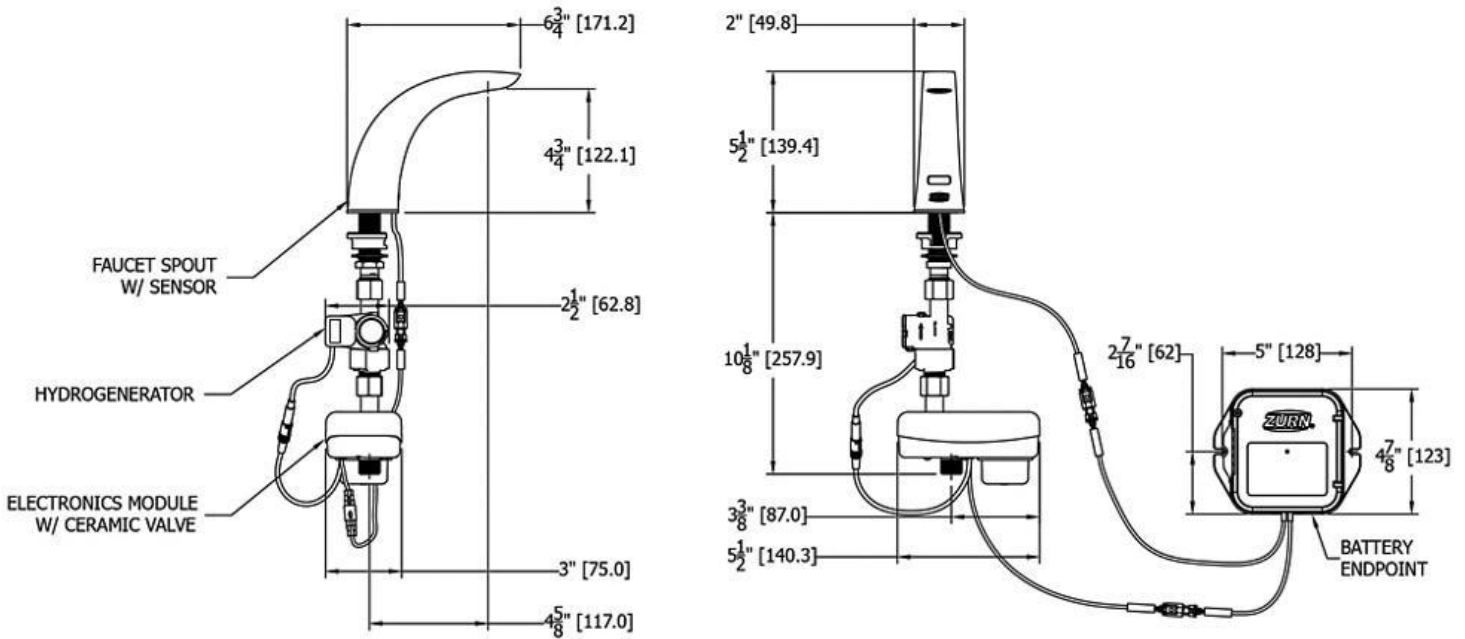
1. Visit www.zurn.com/plumbSMART-connect to save time and money on your installation. You can also call us at 844-987-6737
2. Provide the serial number and contact name, email address, and basic information about the installation site.
3. We will activate your plumbSMART™ account, set up your enterprise, and give you guidance on how to register each connected product as you install it.
4. We will send a confirmation email with a link, or you can go to plumbsmart.zurn.com to log into your plumbSMART™ account for the first time.
5. Add other users and installers to your plumbSMART™ account.
6. Make sure you and/or your installers have the plumbSMART™ mobile app, which you can download from the iPhone App Store or Google Play.
7. Using the mobile app, scan or enter the serial number to register and locate each connected plumbing product as you install it.
8. Watch the how-to videos in the plumbSMART™ portal's support section if you get stuck, or call us at 844-987-6737 for support.



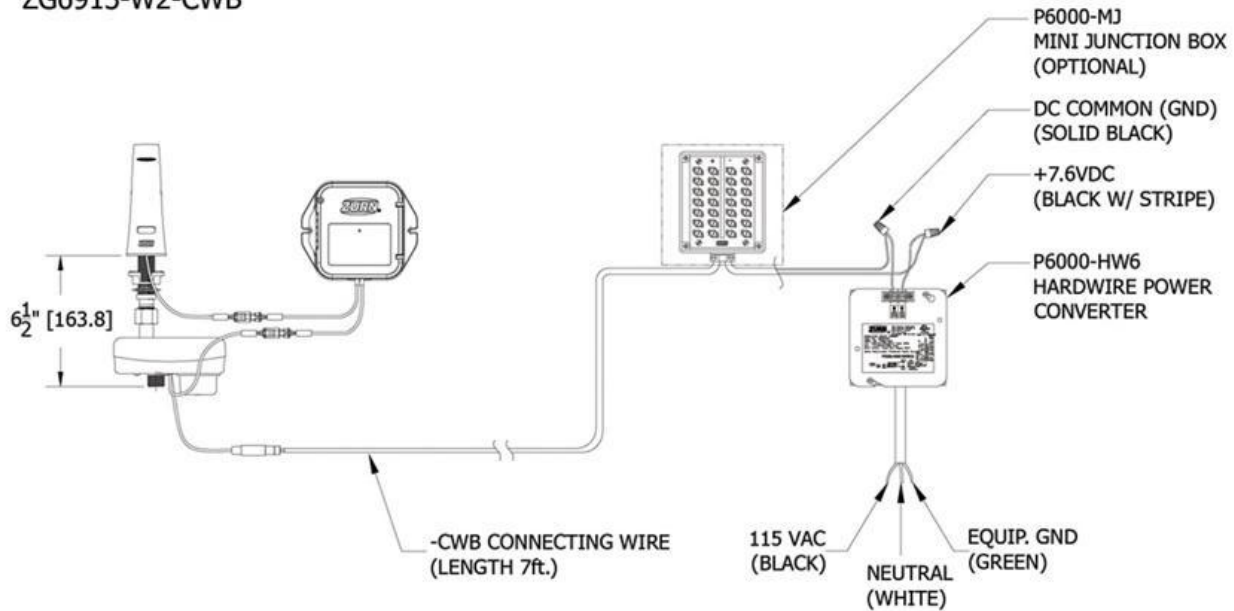
Design and dimensional data (inches and [mm]) are subject to manufacturing tolerances and change without notice.

⚠ WARNING: Cancer and Reproductive Harm – www.P65warnings.ca.gov
 ⚠ ADVERTENCIA: Cáncer y daño reproductivo – www.P65warnings.ca.gov
 ⚠ AVERTISSEMENT: Cancer et effets néfastes sur la reproduction – www.P65warnings.ca.gov

ZG6913-W2



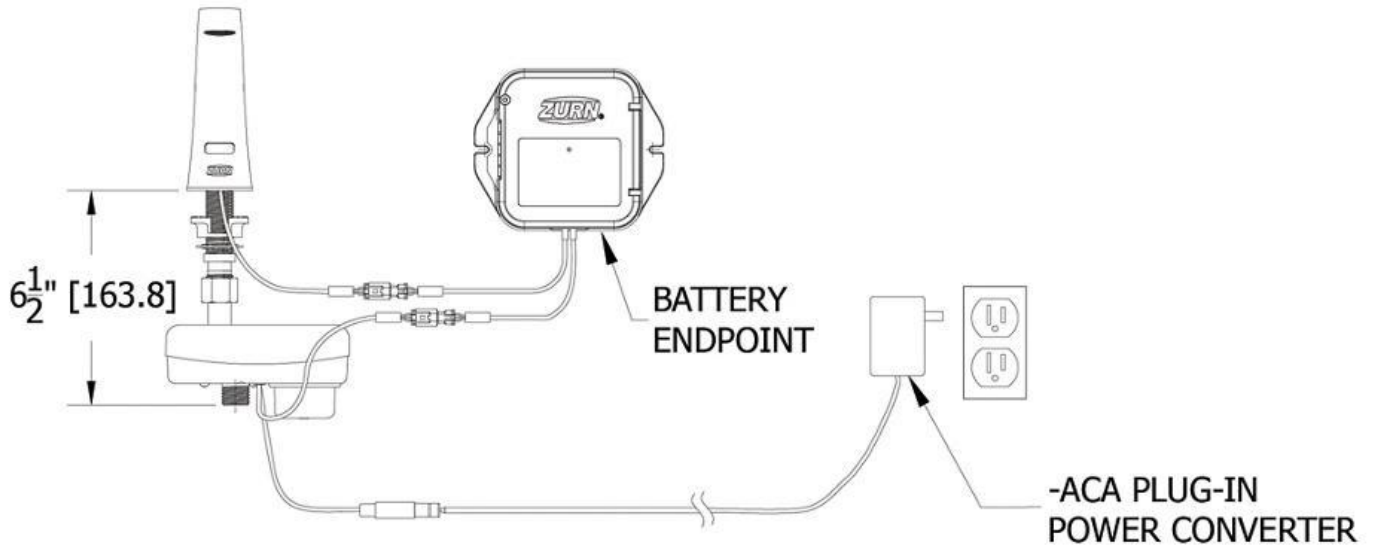
ZG6913-W2-CWB



Design and dimensional data (inches and [mm]) are subject to manufacturing tolerances and change without notice.

⚠ WARNING: Cancer and Reproductive Harm – www.P65warnings.ca.gov
 ⚠ ADVERTENCIA: Cáncer y daño reproductivo – www.P65warnings.ca.gov
 ⚠ AVERTISSEMENT: Cancer et effets néfastes sur la reproduction – www.P65warnings.ca.gov

ZG6913-W2-ACA



NOTE: All dimensions are for reference only. Do not use for pre-plumbing.

Design and dimensional data (inches and [mm]) are subject to manufacturing tolerances and change without notice.

⚠ WARNING: Cancer and Reproductive Harm - www.P65warnings.ca.gov
 ⚠ ADVERTENCIA: Cáncer y daño reproductivo - www.P65warnings.ca.gov
 ⚠ AVERTISSEMENT: Cancer et effets néfastes sur la reproduction - www.P65warnings.ca.gov