

### Architectural/Engineering Specification:

Zurn E-Z Flush® Retrofit Kits are reliable and easily installed sensor retrofit kits for converting manual flush valves to hands-free operation. Ideal for commercial applications where converting to hands-free flush operation is desired. Installation is completed by simply removing existing handle and installing the side mounted sensor retrofit kit. Unit is sensor operated with battery powered and includes electronic manual override button.

### PRODUCT FEATURES:

- Infrared Sensor
- User in-view L.E.D
- Low battery indicator light
- Optional 24 hour auto-flush setting
- 3 second delay flush
- Override Button
- 6 VDC Motor Actuator
- 4 “C” size batteries (Included)
- Included tools Wrench for installation Hex wrench for battery compartment



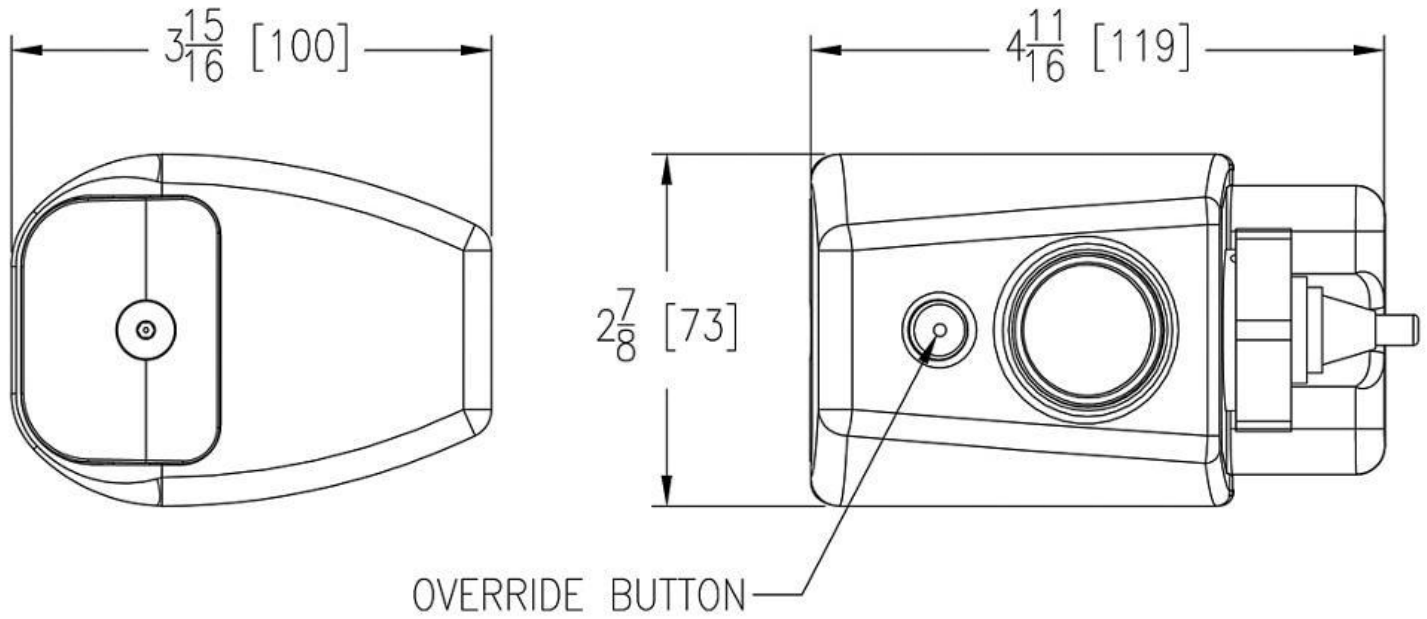
*\*Although products with certain combinations of options and features will meet or comply with these standards and/or certifications, not every combination of options and features will result in such compliance. If you have any questions about your particular product, please contact our Customer Care Dept. at 1-855-ONE-ZURN (United States) or 1-877-892-5216 (Canada) for confirmation.*

[Installation Guide - FV2001.pdf](#)

Architectural/Engineering Approval

*Design and dimensional data (inches and [mm]) are subject to manufacturing tolerances and change without notice.*

⚠ WARNING: Cancer and Reproductive Harm – [www.P65warnings.ca.gov](http://www.P65warnings.ca.gov)  
⚠ ADVERTENCIA: Cáncer y daño reproductivo – [www.P65warnings.ca.gov](http://www.P65warnings.ca.gov)  
⚠ AVERTISSEMENT: Cancer et effets néfastes sur la reproduction – [www.P65warnings.ca.gov](http://www.P65warnings.ca.gov)



NOTE: All dimensions are for reference only. Do not use for pre-plumbing.