



Model(s) ZER6295

Metroflush® Concealed Sensor-Operated Valve for Urinals

TAG

Architectural/Engineering Specification:

Concealed, quiet piston-type, chrome plated flushometer valve with a polished exterior. Complete with Zurn's MetroVantage chloramine resistant piston with a clog resistant filtered by-pass. The valve is ADA compliant and incorporates a 6 VDC motorized actuator, a battery powered automatic sensor with manual override push button, high back pressure vacuum breaker, hex coupling nut, adjustable tailpiece, spud coupling and flange for back spud connection. Switchable sensor features include 24 hour auto flush and diagnostic indicator lights. Control stop has internal siphon-guard protection. Internal seals are made of chloramine resistant materials.

PRODUCT FEATURES:

- High back pressure Vacuum Breaker with one piece hex coupling nut
- Chloramine resistant Internal seals
- Adjustable tailpiece
- Spud coupling and flange for back spud connection
- True mechanical override button

FLOW OPTIONS:

		Flush Volume	*WaterSense Labeled
<input type="checkbox"/>	-ULF	0.125 gpf	x
<input type="checkbox"/>	-EWS	0.5 gpf	x
<input type="checkbox"/>	-WS1	1.0 gpf	
<input type="checkbox"/>	-Standard	1.5 gpf	



Product Compliance: ADA

*Complies with ADA & ICC A117.1 accessibility requirements when installed according to the requirements outlined in these standards.

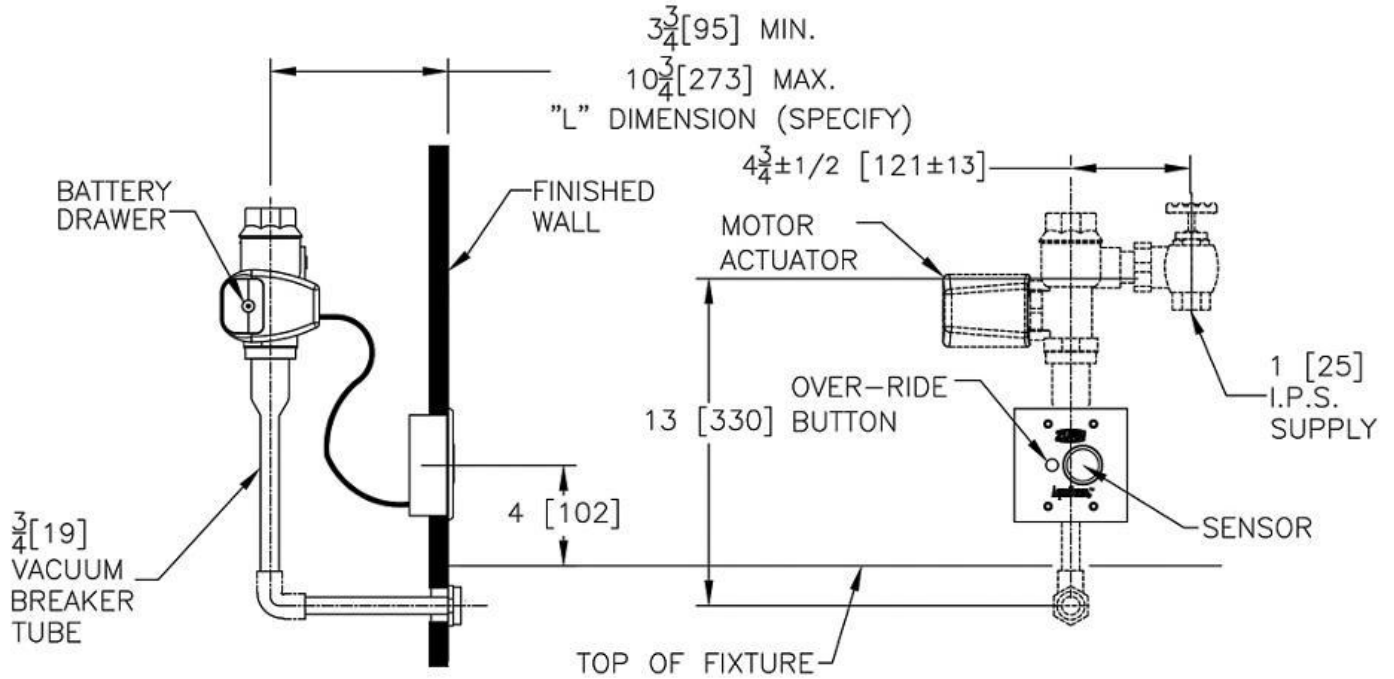
**Although products with certain combinations of options and features will meet or comply with these standards and/or certifications, not every combination of options and features will result in such compliance. If you have any questions about your particular product, please contact our Customer Care Dept. at 1-855-ONE-ZURN (United States) or 1-877-892-5216 (Canada) for confirmation.*

[Installation Guide - FV2001FV1116.pdf](#)

Architectural/Engineering Approval

Design and dimensional data (inches and [mm]) are subject to manufacturing tolerances and change without notice.

⚠ WARNING: Cancer and Reproductive Harm – www.P65warnings.ca.gov
⚠ ADVERTENCIA: Cáncer y daño reproductivo – www.P65warnings.ca.gov
⚠ AVERTISSEMENT: Cancer et effets néfastes sur la reproduction – www.P65warnings.ca.gov



NOTE: All dimensions are for reference only. Do not use for pre-plumbing.

Design and dimensional data (inches and [mm]) are subject to manufacturing tolerances and change without notice.

⚠ WARNING: Cancer and Reproductive Harm - www.P65warnings.ca.gov
 ⚠ ADVERTENCIA: Cáncer y daño reproductivo - www.P65warnings.ca.gov
 ⚠ AVERTISSEMENT: Cancer et effets néfastes sur la reproduction - www.P65warnings.ca.gov