



Model(s) ZER6201-CPM

Sensor-Operated, Battery-Powered Metroflush® Valve for 1-1/4" Urinal Valves

TAG

Architectural/Engineering Specification:

The Metroflush™ is an exposed quiet piston type chrome plated flushometer valve with polished exterior. Complete with Zurn MetroVantage chloramine resistant piston with a clog resistant filtered by-pass. The valve is ADA compliant and incorporates a 6VDC motor acuator, a battery powered automatic sensor, high impact resistant polycarbonate housing, chrome plated metal cover with manual override push button, 10 degree angled sensor, high back pressure vacuum breaker, hex coupling nut, adjustable tailpiece, spud coupling and flange for back spud connection.

PRODUCT FEATURES:

- Clog-resistant piston
- Chemical resistant gaskets and seals for extended service life with lower maintenance costs
- Chrome-plated metal E-Z Flush sensor unit with 3-year battery life

FLOW OPTIONS:

		Flush Volume
<input type="checkbox"/>	-WS1	1.0 gpf
<input type="checkbox"/>	-Standard	1.5 gpf
<input type="checkbox"/>	-FF	3.0 gpf

SUFFIX OPTIONS:

<input type="checkbox"/>	-YB	Sweat Solder Kit
<input type="checkbox"/>	-YC	Cast Wall Flange
<input type="checkbox"/>	-YJ	Split Ring Pipe Support
<input type="checkbox"/>	-YK	Solid Ring Pipe Support



Product Compliance: ADA

*Complies with ADA & ICC A117.1 accessibility requirements when installed according to the requirements outlined in these standards.

**Although products with certain combinations of options and features will meet or comply with these standards and/or certifications, not every combination of options and features will result in such compliance. If you have any questions about your particular product, please contact our Customer Care Dept. at 1-855-ONE-ZURN (United States) or 1-877-892-5216 (Canada) for confirmation.*

[Installation Guide - FV2001FV1116.pdf](#)

Architectural/Engineering Approval

Design and dimensional data (inches and [mm]) are subject to manufacturing tolerances and change without notice.

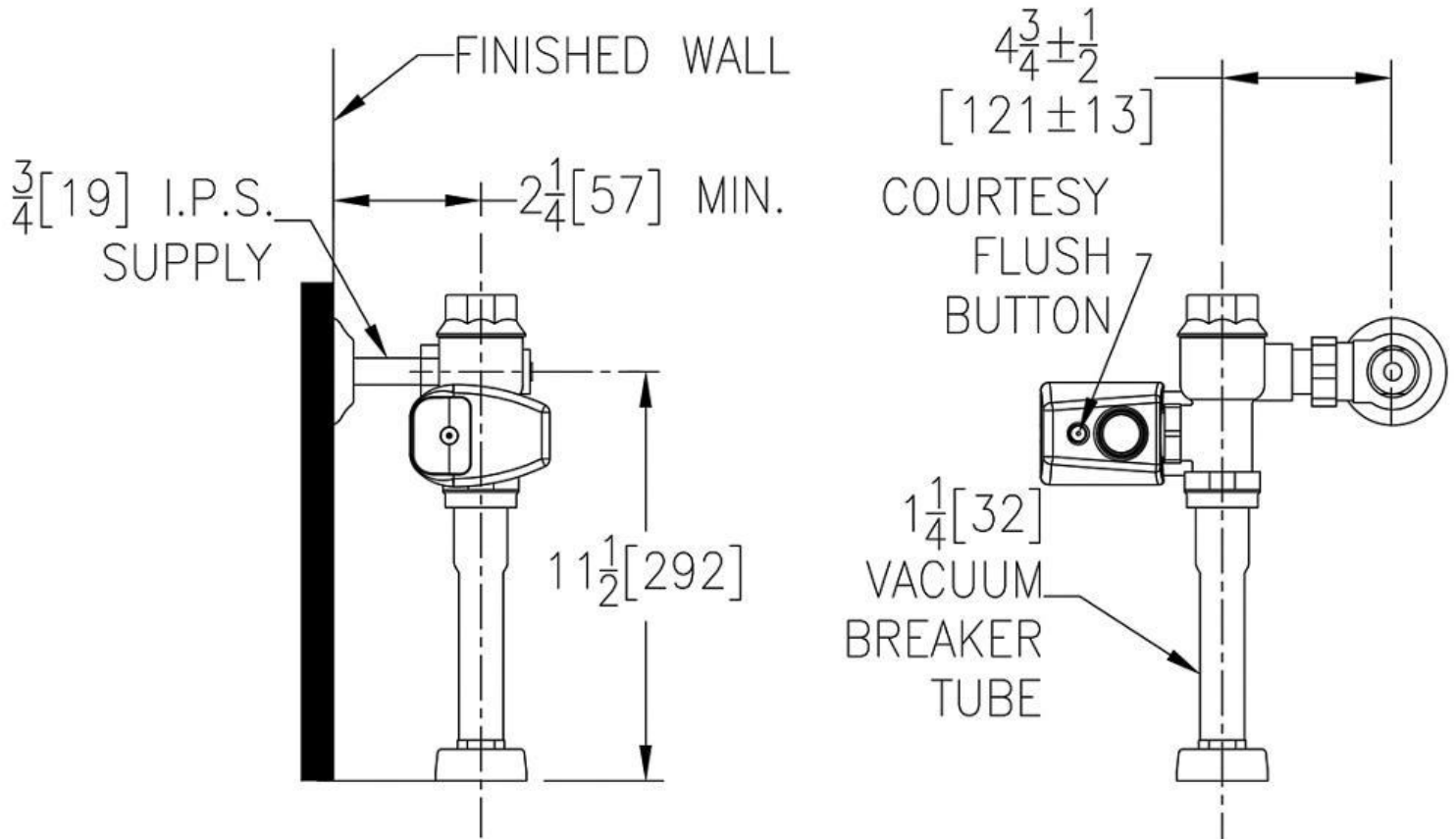
⚠ WARNING: Cancer and Reproductive Harm – www.P65warnings.ca.gov
⚠ ADVERTENCIA: Cáncer y daño reproductivo – www.P65warnings.ca.gov
⚠ AVERTISSEMENT: Cancer et effets néfastes sur la reproduction – www.P65warnings.ca.gov



Model(s) ZER6201-CPM

Sensor-Operated, Battery-Powered Metroflush® Valve for 1-1/4" Urinal Valves

TAG



NOTE: All dimensions are for reference only. Do not use for pre-plumbing.

Design and dimensional data (inches and [mm]) are subject to manufacturing tolerances and change without notice.

⚠ WARNING: Cancer and Reproductive Harm – www.P65warnings.ca.gov
 ⚠ ADVERTENCIA: Cáncer y daño reproductivo – www.P65warnings.ca.gov
 ⚠ AVERTISSEMENT: Cancer et effets néfastes sur la reproduction – www.P65warnings.ca.gov