



# Model(s) ZER6003AV-TM-HW

Zurn Top Mount Exposed Sensor Flush Valve for Urinal With Gear-driven Ceramic Cartridge, Hardwired, AquaVantage® Diaphragm

TAG

### Architectural/Engineering Specification:

The ZER EZ Gear-Driven Urinal Flush Valve is performance engineered with the dual action of the ceramic disc cartridge and motor gear-driven operation. Its polished chrome-plated finish, modern top-mount design, and quiet diaphragm operation are ideal for new and retrofit commercial restroom applications.

### PRODUCT FEATURES:

- Zurn’s TPE diaphragm Clog-resistant bypass Chloramine resistant
- Actuator Electronic automatic sensor Gear-driven ceramic cartridge
- True Mechanical Override Button
- Control Stop Internal siphon-guard protection Vandal-resistant stop cap Sweat solder kit Cast wall flange with set screw
- Vacuum Breaker High back pressure One piece hex coupling nut
- Chloramine-resistant internal seals
- Adjustable tailpiece
- Spud coupling and flange for top spud connection
- Operating Pressure 25 psi (running) - 80 psi (static) Higher running pressure may be required for some fixtures. Consult fixture manufacturer for details.



**Product Compliance:** ASSE 1037/ASME A112.1037/CSA B125.37  
 FCC  
 IPC  
 WaterSense



\*This product should be used with a WaterSense labeled counterpart with a compatible flow volume to ensure that the entire system meets the requirements for water efficiency and performance.

### FLOW OPTIONS:

		Flush Volume	*WaterSense Labeled
<input type="checkbox"/>	-ULF	0.125 gpf	x
<input type="checkbox"/>	-EWS	0.5 gpf	x
<input type="checkbox"/>	-WS1	1.0 gpf	

### SUFFIX OPTIONS:

<input type="checkbox"/>	-YJ	Split Ring Pipe Support
<input type="checkbox"/>	-YK	Solid Ring Pipe Support

\*Although products with certain combinations of options and features will meet or comply with these standards and/or certifications, not every combination of options and features will result in such compliance. If you have any questions about your particular product, please contact our Customer Care Dept. at 1-855-ONE-ZURN (United States) or 1-877-892-5216 (Canada) for confirmation.

[Installation Guide - FV838](#)

Architectural/Engineering Approval

Design and dimensional data (inches and [mm]) are subject to manufacturing tolerances and change without notice.

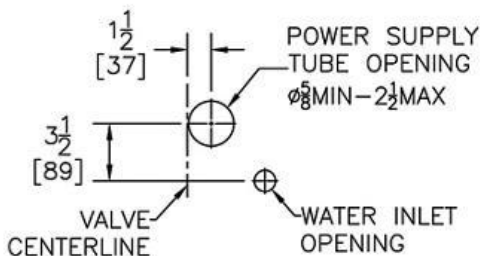
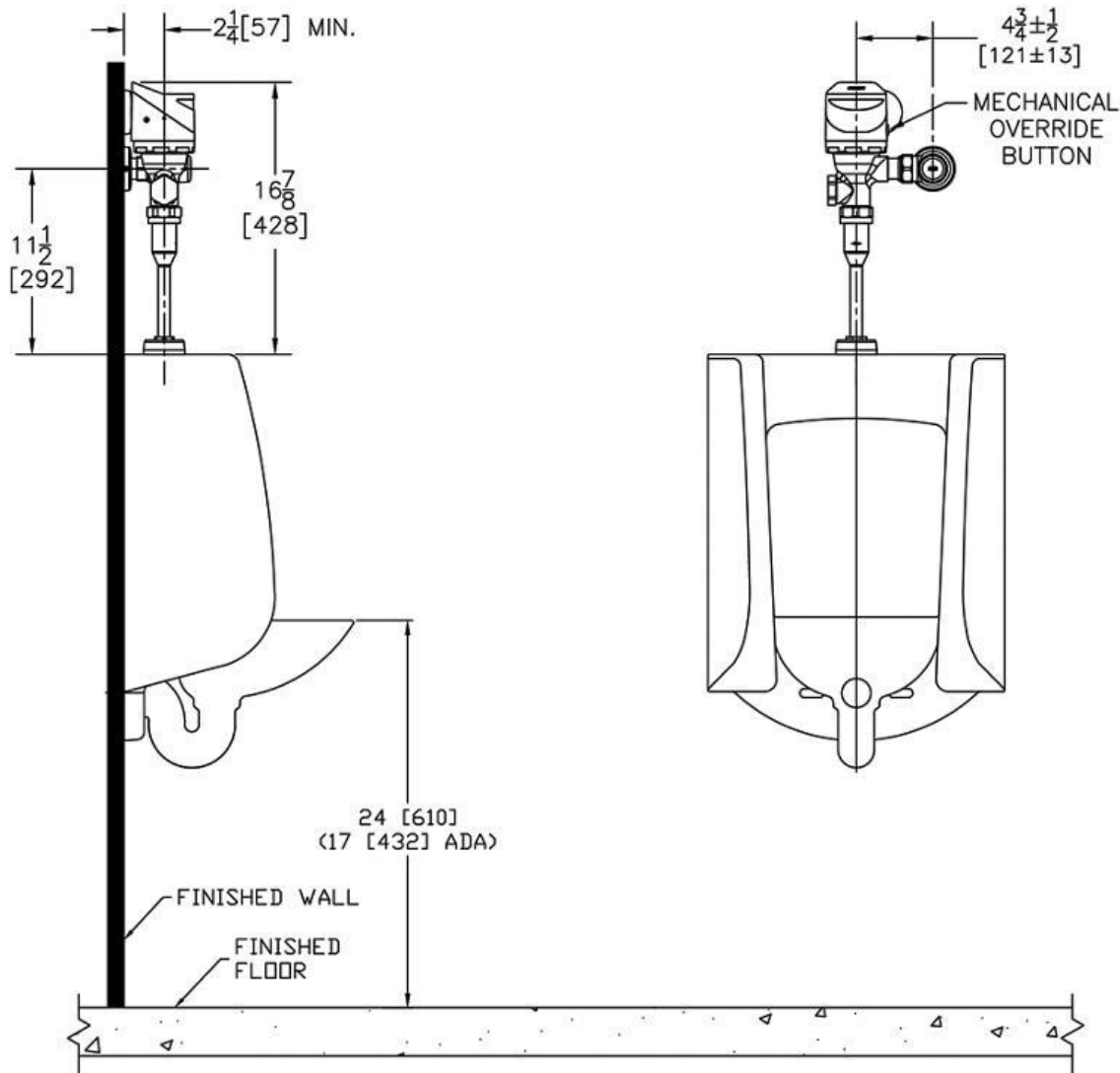
⚠ WARNING: Cancer and Reproductive Harm – [www.P65warnings.ca.gov](http://www.P65warnings.ca.gov)  
 ⚠ ADVERTENCIA: Cáncer y daño reproductivo – [www.P65warnings.ca.gov](http://www.P65warnings.ca.gov)  
 ⚠ AVERTISSEMENT: Cancer et effets néfastes sur la reproduction – [www.P65warnings.ca.gov](http://www.P65warnings.ca.gov)



# Model(s) ZER6003AV-TM-HW

Zurn Top Mount Exposed Sensor Flush Valve for Urinal With Gear-driven Ceramic Cartridge, Hardwired, AquaVantage® Diaphragm

TAG



NOTE: All dimensions are for reference only. Do not use for pre-plumbing.

Design and dimensional data (inches and [mm]) are subject to manufacturing tolerances and change without notice.

⚠ WARNING: Cancer and Reproductive Harm - [www.P65warnings.ca.gov](http://www.P65warnings.ca.gov)  
 ⚠ ADVERTENCIA: Cáncer y daño reproductivo - [www.P65warnings.ca.gov](http://www.P65warnings.ca.gov)  
 ⚠ AVERTISSEMENT: Cancer et effets néfastes sur la reproduction - [www.P65warnings.ca.gov](http://www.P65warnings.ca.gov)