

Architectural/Engineering Specification:

Zurn Connected Flush Valve transmit data 24/7 to the Zurn plumbSMART™ web portal and mobile app. Proactively monitor your push activations and water usage, receive real-time alerts for preset high and low usage parameters, and access system data for trends and predictive maintenance anytime and anywhere.

Zurn Hydro•X® Power series of sensor flush valves for urinals are designed for reliable, hands-free operation that lasts the life expectancy of a commercial restroom. This hydropowered sensor flush valve for urinals requires no hard wiring or battery replacement, which means lower installation and maintenance costs. The gear-operated flush valve features a clog-resistant, triple filtered diaphragm. It is sensor activated to support a more hygienic environment by eliminating touch points. Pair with Hydro•X® Power faucets to maximize sustainable restroom goals.

PRODUCT FEATURES:

plumbSmart Portal

- Know water consumption
- Track uses per fixture
- Receive real-time alerts
- Manage maintenance tasks
- Receive insights on your data

Flush Valve

- Hydro•X® Power technology delivers sustainable performance by providing renewable, uninterrupted hydropower designed to last the life expectancy of a commercial restroom
- Uses EZ Gear technology, a gear-driven ceramic cartridge that is less susceptible to debris and buildup for easy maintenance; outlasts and outperforms solenoids
- Industry-leading, triple filtered AquaVantage diaphragm, gaskets and seals are made of chemical-resistant thermoplastic elastomer, which lasts 8-10 times longer than traditional rubber, reducing maintenance costs
- Automatic touchless sensor activation reduces guest visits without a flush and can help reduce germ transmission
- True mechanical override button delivers on-demand manual flushing
- Standard 24-hour line flushing to help minimize stagnation and maintain fixture trap seals to protect against sewer gases during periods of inactivity
- User-in-view LED indicator light
- Exposed flush valve is also furnished with 1" control stop with internal siphon-guard protection, vandal-resistant stop cap, sweat solder kit, cast wall flange with set screw, and high-pressure vacuum breaker assembly for 1-1/2" top sput inlet.

VALVE HEIGHT OPTIONS:

		Vacuum Tube Length	Rough-in Height "A"
<input type="checkbox"/>	Standard	8-1/2" [216"]	11-1/2" [292]
<input type="checkbox"/>	-1	13" [330]	16" [406]

FLOW OPTIONS:

		Flush Volume
<input type="checkbox"/>	-ULF	0.125 gpf
<input type="checkbox"/>	-EWS	0.5 gpf
<input type="checkbox"/>	-WS1	1.0 gpf

** Not available with triple filter by-pass

SUFFIX OPTIONS:

Design and dimensional data (inches and [mm]) are subject to manufacturing tolerances and change without notice.



Product Compliance: ADA

*Complies with ADA & ICC A117.1 accessibility requirements when installed according to the requirements outlined in these standards.

*Although products with certain combinations of options and features will meet or comply with these standards and/or certifications, not every combination of options and features will result in such compliance. If you have any questions about your particular product, please contact our Customer Care Dept. at 1-855-ONE-ZURN (United States) or 1-877-892-5216 (Canada) for confirmation.

[Installation Guide - FV845.pdf](#)

[Warranty - General-Terms-and-Conditions-of-Sale_connectedproducts.pdf \(PDF\)](#)

GATEWAY OPTIONS: (Required & Sold Separately)

Connected Endpoint	
<input type="checkbox"/>	-LTE ZGW-LORA-W1-LTE
Note: plumbSMART™ is free-to-connect to a basic plan with an option to upgrade to a premium plan.	
Note: LTE charges will apply to basic plan	

Architectural/Engineering Approval

⚠ WARNING: Cancer and Reproductive Harm – www.P65warnings.ca.gov

⚠ ADVERTENCIA: Cáncer y daño reproductivo – www.P65warnings.ca.gov

⚠ AVERTISSEMENT: Cancer et effets néfastes sur la reproduction – www.P65warnings.ca.gov

<input type="checkbox"/> -YJ	Split Ring Pipe Support
<input type="checkbox"/> -YK	Solid Ring Pipe Support

TECHNICAL SPECIFICATION:

Connected Endpoint	
•	Communicates wirelessly to Zurn Gateway
•	Fully integrated into the EZ-Flush housing
Zurn Gateway	
•	Communicates via Ethernet or LTE
•	Works with all Zurn connected devices
•	Connects all endpoints up to 1,000 ft radius
•	After purchase request your gateway at: zurn.com/plumbsmart-gateway or Call 1-844-987-6737



How it works:

Integrated sensors continuously monitor flush valve activations and water usage. This data is transmitted to the Zurn gateway via LoRa communication. The Zurn gateway passes the data into the Zurn cloud where the data is enriched and presented in the plumbSMART web portal and mobile app. Facilities managers and/or maintenance personnel can view all data and trends in the plumbSMART™ portal and may opt to receive real-time alerts via email, text message and/or push notifications if any of these readings exceed customizable parameters for high hourly or daily usage levels. All notifications and alert parameters are adjustable via the plumbSMART™ portal. A maintenance planning tool and data insights hub are available in plumbSMART. For more information, visit <https://www.zurn.com/innovation-efficiency/plumbSMART>.

To access the plumbSMART™ portal, a Zurn Gateway must be installed within 1,000 feet of the connected product, and connected products must be registered in the Zurn plumbSMART™ portal. A single Zurn Gateway can be used to connect hundreds of Zurn connected plumbing products.

Connecting to the plumbSMART™ Portal:

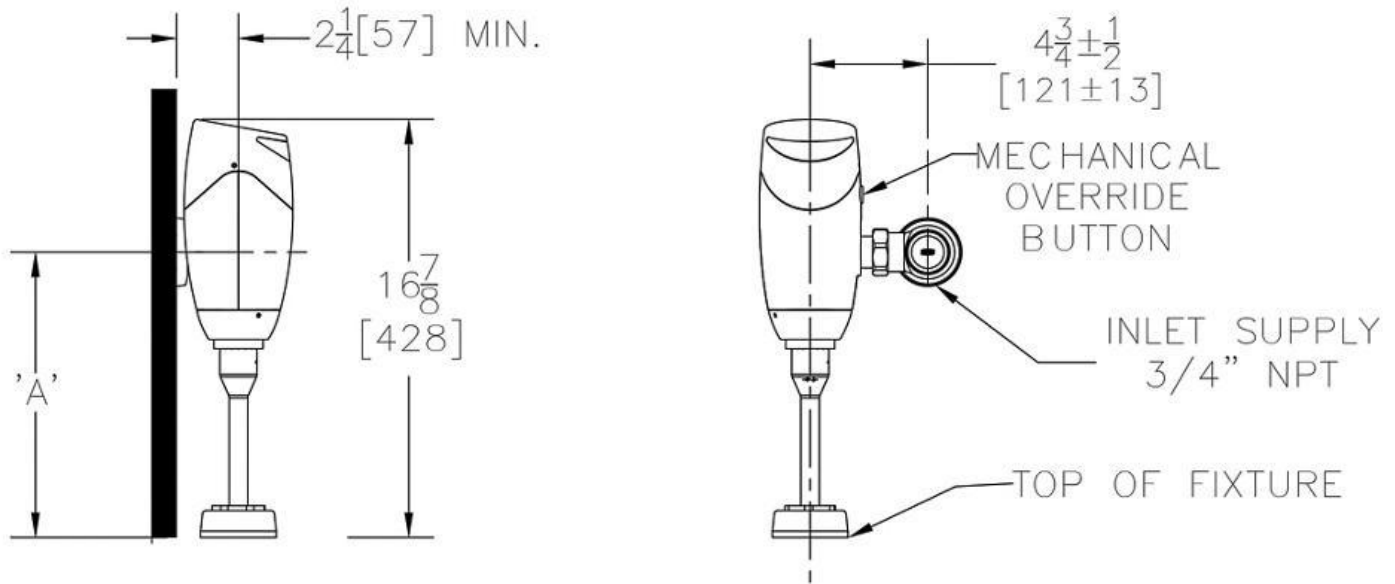
1. Visit www.zurn.com/plumbSMART-connect to save time and money on your installation. You can also call us at 844-987-6737
2. Provide the serial number and contact name, email address, and basic information about the installation site.
3. We will activate your plumbSMART™ account, set up your enterprise, and give you guidance on how to register each connected product as you install it.
4. We will send a confirmation email with a link, or you can go to plumbsmart.zurn.com to log into your plumbSMART™ account for the first time.
5. Add other users and installers to your plumbSMART™ account.
6. Make sure you and/or your installers have the plumbSMART™ mobile app, which you can download from the iPhone App Store or Google Play.
7. Using the mobile app, scan or enter the serial number to register and locate each connected plumbing product as you install it.
8. Watch the how-to videos in the plumbSMART™ portal's support section if you get stuck, or call us at 844-987-6737 for support.



Model(s) ZER6003AV-HYD-W2

Connected Top Mount Exposed Sensor Flush Valve for Urinal W/Gear-driven Ceramic Cartridge, Hydropower, AV Diaph.

TAG



NOTE: All dimensions are for reference only. Do not use for pre-plumbing.

Design and dimensional data (inches and [mm]) are subject to manufacturing tolerances and change without notice.

⚠ WARNING: Cancer and Reproductive Harm - www.P65warnings.ca.gov

⚠ ADVERTENCIA: Cáncer y daño reproductivo - www.P65warnings.ca.gov

⚠ AVERTISSEMENT: Cancer et effets néfastes sur la reproduction - www.P65warnings.ca.gov