



Model(s) ZER6003-CPM

ZER6003-CPM AquaSense Exposed Urinal Flush Valve

TAG

Architectural/Engineering Specification:

Exposed, quiet diaphragm-type, chrome plated, flushometer with a polished exterior. Complete with chloramine resistant, dual seal diaphragm with a clog resistant by-pass. The valve incorporates a 6VDC motor actuator, a battery powered automatic sensor, high impact resistant polycarbonate housing and chrome plated metal cover with manual override push button and 10 degree angled sensor, high back pressure vacuum breaker, one piece hex coupling nut, adjustable tailpiece, spud coupling and flange for top spud connection. Control stop has internal siphon-guard protection. Internal seals are made of chloramine resistant materials.

PRODUCT FEATURES:

- Control Stop has internal siphon-guard protection and vandal resistant stop cap, Sweat solder kit, wall flange with set screw.
- High back pressure Vacuum Breaker with one piece hex coupling nut
- Chloramine resistant Internal seals
- Adjustable tailpiece
- Spud coupling and flange for top spud connection

VALVE HEIGHT OPTIONS:

	Vacuum Tube Length	Rough-in Height "A"
<input type="checkbox"/> Standard	8-1/2" [216"]	11-1/2" [292]
<input type="checkbox"/> -1	13" [330]	16" [406]
<input type="checkbox"/> -2	21" [533]	24" [610]
<input type="checkbox"/> -3	24" [610]	27" [686]

FLOW OPTIONS:

	Flush Volume	*WaterSense Labeled
<input type="checkbox"/> -ULF	0.125 gpf	x
<input type="checkbox"/> -EWS	0.5 gpf	x
<input type="checkbox"/> -WS1	1.0 gpf	
<input type="checkbox"/> -Standard	1.5 gpf	

SUFFIX OPTIONS:

<input type="checkbox"/> -D1	1" Supply
<input type="checkbox"/> -MOB	Manual Over-ride Button (Front of Body)
<input type="checkbox"/> -YB	Sweat Solder Kit
<input type="checkbox"/> -YC	Cast Wall Flange
<input type="checkbox"/> -YJ	Split Ring Pipe Support
<input type="checkbox"/> -YK	Solid Ring Pipe Support



Product Compliance:

ADA
 ASSE 1037/ASME A112.1037/CSA B125.37
 ASSE 1037
 CSA B125.37
 IPC
 WaterSense

*Complies with ADA & ICC A117.1 accessibility requirements when installed according to the requirements outlined in these standards.



*This product should be used with a WaterSense labeled counterpart with a compatible flow volume to ensure that the entire system meets the requirements for water efficiency and performance.

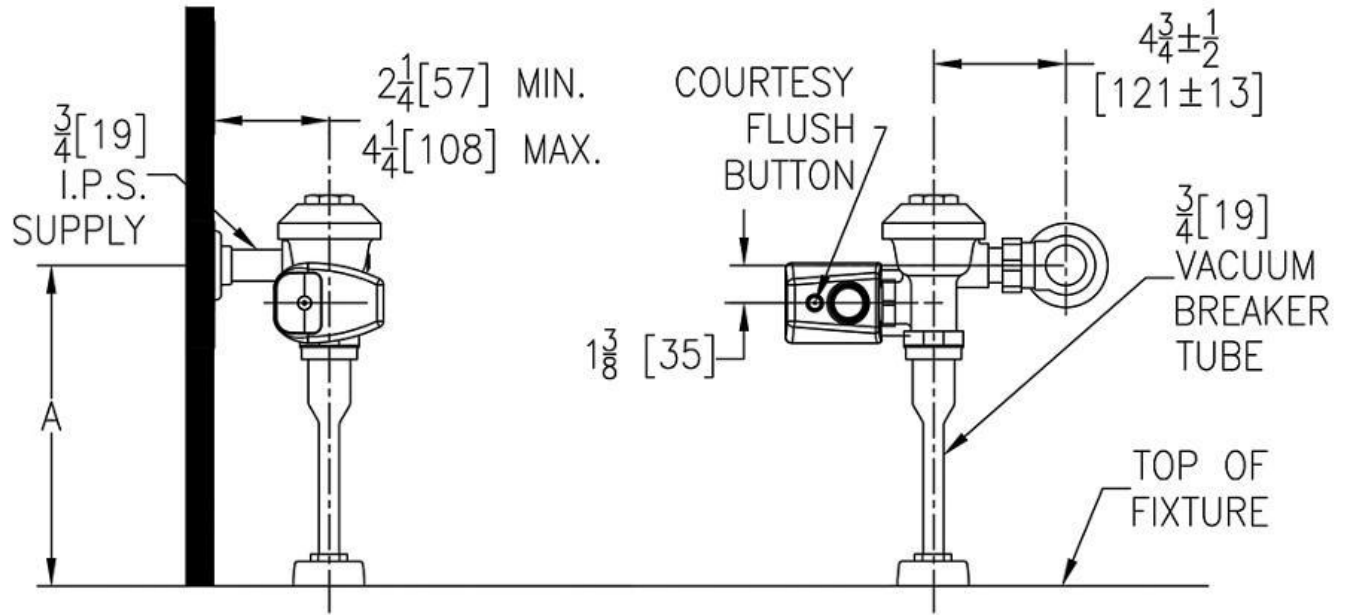
**Although products with certain combinations of options and features will meet or comply with these standards and/or certifications, not every combination of options and features will result in such compliance. If you have any questions about your particular product, please contact our Customer Care Dept. at 1-855-ONE-ZURN (United States) or 1-877-892-5216 (Canada) for confirmation.*

[Installation Guide - FV237.pdf](#)

Architectural/Engineering Approval

Design and dimensional data (inches and [mm]) are subject to manufacturing tolerances and change without notice.

⚠ WARNING: Cancer and Reproductive Harm – www.P65warnings.ca.gov
 ⚠ ADVERTENCIA: Cáncer y daño reproductivo – www.P65warnings.ca.gov
 ⚠ AVERTISSEMENT: Cancer et effets néfastes sur la reproduction – www.P65warnings.ca.gov



NOTE: All dimensions are for reference only. Do not use for pre-plumbing.