



# Model(s) ZER6000AV-HYD

Top Mount Exposed Sensor Flush Valve for Water Closet With Gear-driven Ceramic Cartridge, Hydropower, AquaVantage® Diaphragms

TAG

### Architectural/Engineering Specification:

Zurn Hydro•X Power® series of sensor flush valves for water closets are designed for reliable, hands-free operation that lasts the life expectancy of a commercial restroom. This hydropowered sensor flush valve for water closets requires no hard wiring or battery replacement, which means lower installation and maintenance costs. The gear-operated flush valve features a clog-resistant, triple filtered diaphragm. It is sensor activated to support a more hygienic environment by eliminating touch points. Pair with Hydro•X Power® faucets to maximize sustainable restroom goals.

### PRODUCT FEATURES:

- Hydro•X Power® technology delivers sustainable performance by providing renewable, uninterrupted hydropower designed to last the life expectancy of a commercial restroom
- Uses EZ Gear technology, a gear-driven ceramic cartridge that is less susceptible to debris and buildup for easy maintenance; outlasts and outperforms solenoids
- Industry-leading, triple filtered AquaVantage diaphragm, gaskets and seals are made of chemical-resistant thermoplastic elastomer, which lasts 8-10 times longer than traditional rubber, reducing maintenance costs
- Automatic touchless sensor activation reduces guest visits without a flush and can help reduce germ transmission
- True mechanical override button delivers on-demand manual flushing
- Heavy-duty construction with a highly polished chrome-plated finish provides long-term durability and vandal resistance in a contemporary design
- Standard 24-hour line flushing to help minimize stagnation and maintain fixture trap seals to protect against sewer gases during periods of inactivity
- User-in-view LED indicator light
- Exposed flush valve is also furnished with 1" control stop with internal siphon-guard protection, vandal-resistant stop cap, sweat solder kit, cast wall flange with set screw, and high-pressure vacuum breaker assembly for 1-1/2" top sput inlet.
- Operating Pressure 25 psi (running) - 80 psi (static) Higher running pressure may be required for some fixtures. Consult fixture manufacturer for details.



### Product Compliance:

ADA  
 ASSE 1037/ASME A112.1037/CSA B125.37  
 FCC  
 IPC  
 WaterSense

\*Complies with ADA & ICC A117.1 accessibility requirements when installed according to the requirements outlined in these standards.



\*This product should be used with a WaterSense labeled counterpart with a compatible flow volume to ensure that the entire system meets the requirements for water efficiency and performance.

*\*Although products with certain combinations of options and features will meet or comply with these standards and/or certifications, not every combination of options and features will result in such compliance. If you have any questions about your particular product, please contact our Customer Care Dept. at 1-855-ONE-ZURN (United States) or 1-877-892-5216 (Canada) for confirmation.*

[Installation Guide - FV845.pdf](#)

[Warranty - GENERAL-TERMS-AND-CONDITIONS.pdf \(PDF\)](#)

### VALVE HEIGHT OPTIONS:

	Vacuum Tube Length	Rough-in Height "A"
<input type="checkbox"/> Standard	8-1/2" [216"]	11-1/2" [292]
<input type="checkbox"/> -1	13" [330]	16" [406]

### FLOW OPTIONS:

	Flush Volume	Dual Flush	*WaterSense Labeled
<input type="checkbox"/> -ONE	1.1 gpf		x
<input type="checkbox"/> -HET	1.28 gpf	1.28/1.1 gpf	
<input type="checkbox"/> -HET	1.28 gpf		x
<input type="checkbox"/> -WS1	1.6 gpf	1.6/1.1 gpf	
<input type="checkbox"/> -WS1	1.6 gpf		

### SUFFIX OPTIONS:

Architectural/Engineering Approval

Design and dimensional data (inches and [mm]) are subject to manufacturing tolerances and change without notice.

⚠ WARNING: Cancer and Reproductive Harm – [www.P65warnings.ca.gov](http://www.P65warnings.ca.gov)  
 ⚠ ADVERTENCIA: Cáncer y daño reproductivo – [www.P65warnings.ca.gov](http://www.P65warnings.ca.gov)  
 ⚠ AVERTISSEMENT: Cancer et effets néfastes sur la reproduction – [www.P65warnings.ca.gov](http://www.P65warnings.ca.gov)



# Model(s) ZER6000AV-HYD

Top Mount Exposed Sensor Flush Valve for Water Closet With Gear-driven Ceramic Cartridge, Hydropower, AquaVantage® Diaphragms

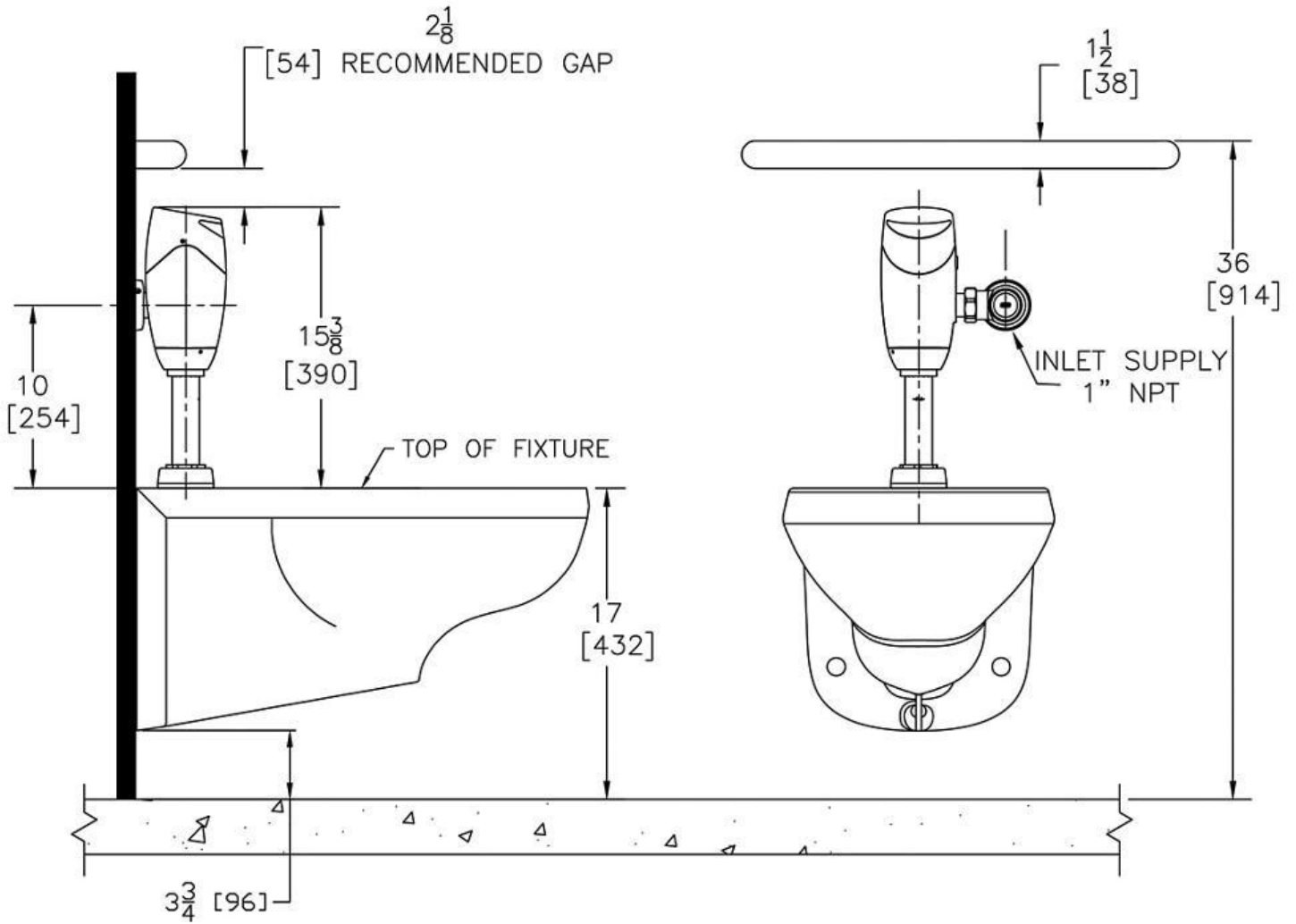
TAG

## ALTERNATE ADA INSTALLATION

Lower water supply rough-in to 10" and mount grab bar at the 36" maximum allowed height.

### \* For Retrofit Installation with P6000-YB-OSK

Zurn Offset Supply Kit can be used to lower valve height by 1 1/2" for ADA grab bar clearance.



Design and dimensional data (inches and [mm]) are subject to manufacturing tolerances and change without notice.

⚠ WARNING: Cancer and Reproductive Harm - [www.P65warnings.ca.gov](http://www.P65warnings.ca.gov)

⚠ ADVERTENCIA: Cáncer y daño reproductivo - [www.P65warnings.ca.gov](http://www.P65warnings.ca.gov)

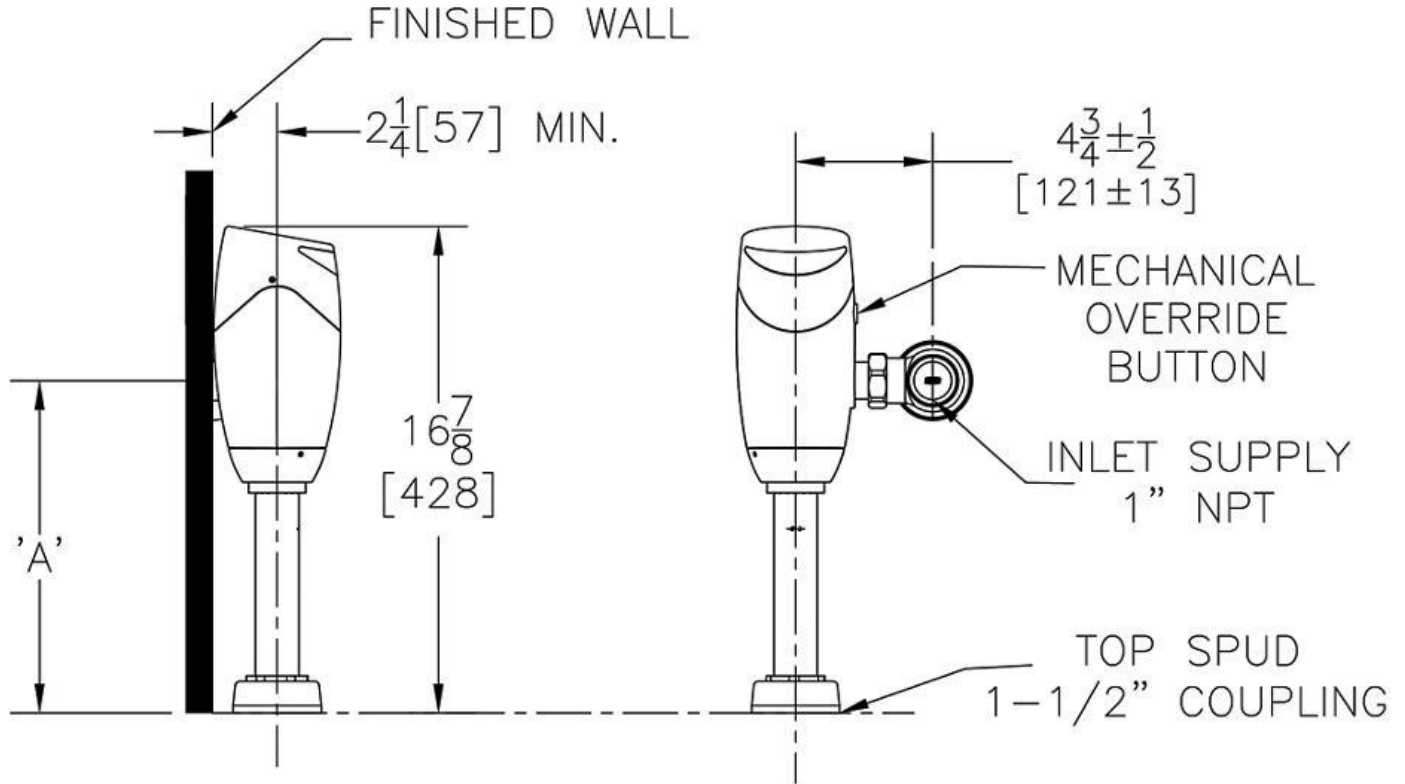
⚠ AVERTISSEMENT: Cancer et effets néfastes sur la reproduction - [www.P65warnings.ca.gov](http://www.P65warnings.ca.gov)



# Model(s) ZER6000AV-HYD

Top Mount Exposed Sensor Flush Valve for Water Closet With Gear-driven Ceramic Cartridge, Hydropower, AquaVantage® Diaphragms

TAG \_\_\_\_\_



NOTE: All dimensions are for reference only. Do not use for pre-plumbing.

Design and dimensional data (inches and [mm]) are subject to manufacturing tolerances and change without notice.

⚠ WARNING: Cancer and Reproductive Harm - [www.P65warnings.ca.gov](http://www.P65warnings.ca.gov)  
⚠ ADVERTENCIA: Cáncer y daño reproductivo - [www.P65warnings.ca.gov](http://www.P65warnings.ca.gov)  
⚠ AVERTISSEMENT: Cancer et effets néfastes sur la reproduction - [www.P65warnings.ca.gov](http://www.P65warnings.ca.gov)