



Model(s) ZEMS6200-IS

Metroflush® Exposed Hardwired AquaSense® Flush Valve For Water Closets

TAG

Architectural/Engineering Specification:

The Metroflush valve is a piston operated brass flush valve with a polished chrome exterior. The valve is ADA compliant and incorporates a motorized actuator, an integral infrared convergence-type proximity sensor and a manual push-button override into an all-metal, polished chrome plated housing. Complete with Zurn's MetroVantage chloramine resistant piston with a clog resistant filtered by-pass, high back pressure vacuum breaker, one piece hex coupling nut, adjustable tailpiece, spud coupling and flange for top spud connection. Control stop has internal siphon-guard protection and a wall flange with set screw. Internal seals are made of chloramine resistant materials.

PRODUCT FEATURES:

- Piston Operated Clog resistant filtered by-pass Chloramine resistant Dual seal
- Low lead brass alloy
- Actuator ZEMS 6 VDC Motorized Actuator
- Automatic Sensor Fully configurable sensor range adjustment 48 or 168 hour trap seal flush Capacitive sensing push button override
- Control Stop Internal siphon-guard protection Vandal resistant stop cap Sweat solder kit Cast wall flange with set screw
- Vacuum Breaker High back pressure One piece hex coupling nut
- Internal seals Chloramine resistant
- Adjustable tailpiece
- Spud coupling and flange for top spud connection

VALVE HEIGHT OPTIONS:

	Vacuum Tube Length	Rough-in Height "A"
<input type="checkbox"/> Standard	8-1/2" [216"]	11-1/2" [292]
<input type="checkbox"/> -1	13" [330]	16" [406]
<input type="checkbox"/> -2	21" [533]	24" [610]
<input type="checkbox"/> -3	24" [610]	27" [686]

FLOW OPTIONS:

	Flush Volume	*WaterSense Labeled
<input type="checkbox"/> -HET	1.28 gpf	x
<input type="checkbox"/> -WS1	1.6 gpf	
<input type="checkbox"/> -Standard	3.5 gpf	

SUFFIX OPTIONS:

<input type="checkbox"/> -BWN	26-1/2" Rough In Bedpan Washer
<input type="checkbox"/> -FM12	Floor Mount 12" Rough In
<input type="checkbox"/> -YB	Sweat Solder Kit
<input type="checkbox"/> -YC	Cast Wall Flange
<input type="checkbox"/> -YJ	Split Ring Pipe Support
<input type="checkbox"/> -YK	Solid Ring Pipe Support

POWER OPTIONS:

Power Supply Option	
<input type="checkbox"/> -ACA	6-VDC plug-in power converter
Power Supply Accessories (Sold Separately)	
<input type="checkbox"/> -HW6	Hardwired power converter
<input type="checkbox"/> -MJ	Mini junction box



Product Compliance: WaterSense



*This product should be used with a WaterSense labeled counterpart with a compatible flow volume to ensure that the entire system meets the requirements for water efficiency and performance.

**Although products with certain combinations of options and features will meet or comply with these standards and/or certifications, not every combination of options and features will result in such compliance. If you have any questions about your particular product, please contact our Customer Care Dept. at 1-855-ONE-ZURN (United States) or 1-877-892-5216 (Canada) for confirmation.*

[Installation Guide - FV582.pdf](#)

Architectural/Engineering Approval

Design and dimensional data (inches and [mm]) are subject to manufacturing tolerances and change without notice.

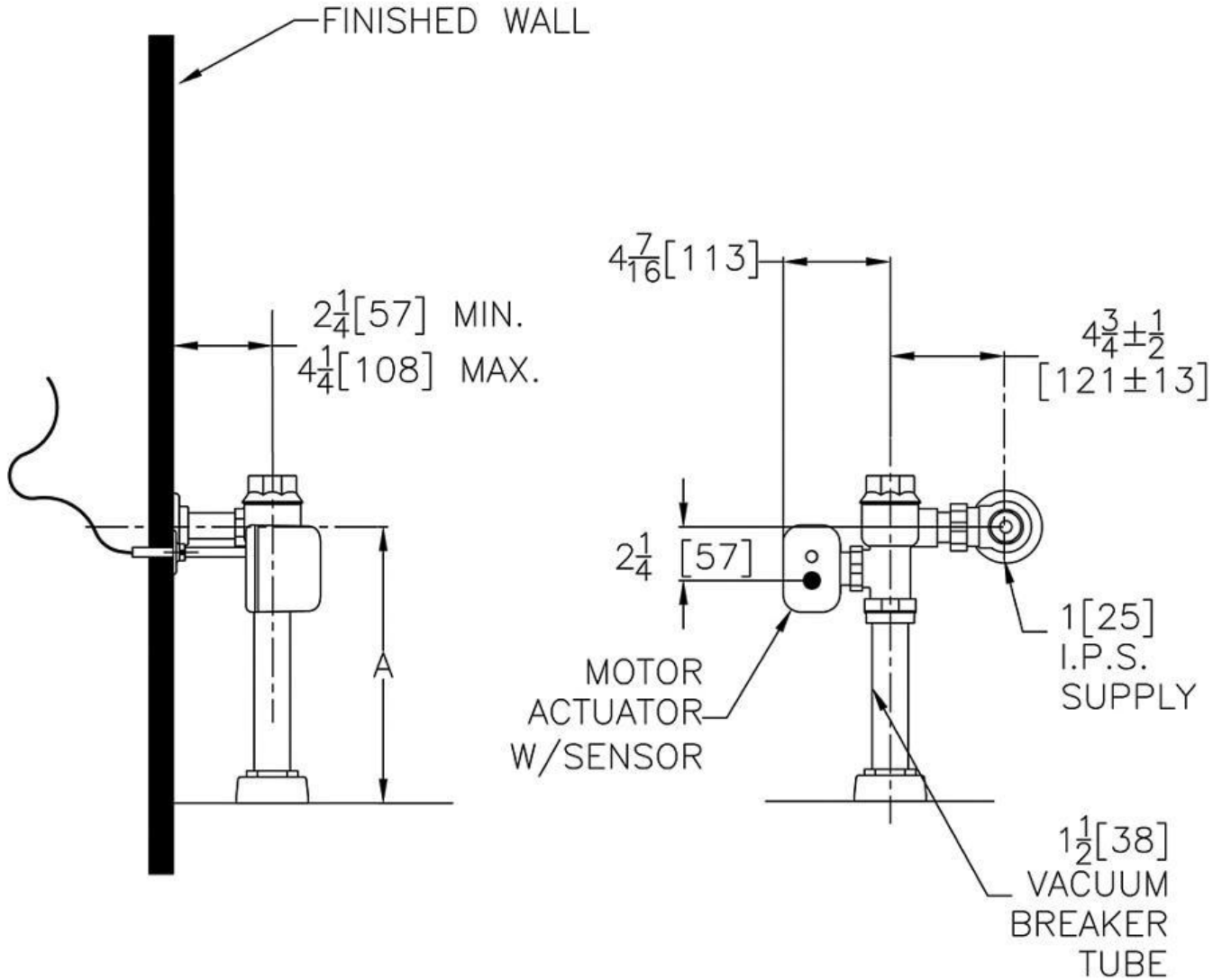
⚠ WARNING: Cancer and Reproductive Harm – www.P65warnings.ca.gov
⚠ ADVERTENCIA: Cáncer y daño reproductivo – www.P65warnings.ca.gov
⚠ AVERTISSEMENT: Cancer et effets néfastes sur la reproduction – www.P65warnings.ca.gov



Model(s) ZEMS6200-IS

Metroflush® Exposed Hardwired AquaSense® Flush Valve For Water Closets

TAG



NOTE: All dimensions are for reference only. Do not use for pre-plumbing.

Design and dimensional data (inches and [mm]) are subject to manufacturing tolerances and change without notice.

⚠ WARNING: Cancer and Reproductive Harm - www.P65warnings.ca.gov

⚠ ADVERTENCIA: Cáncer y daño reproductivo - www.P65warnings.ca.gov

⚠ AVERTISSEMENT: Cancer et effets néfastes sur la reproduction - www.P65warnings.ca.gov