



# Model(s) ZEMS6003PL

## Hardwired Automatic Sensor Flush Valve for Urinals

TAG

### Architectural/Engineering Specification:

Exposed, quiet diaphragm-type, chrome plated flushometer valve with a polished exterior.

### PRODUCT FEATURES:

- Proprietary dezincification resistant low lead brass alloy
- Control stop has internal siphon-guard protection, vandal resistant stop cap, sweat solder kit and wall flange with set screw
- High back pressure vacuum breaker with one piece hex coupling nut
- Chloramine resistant internal seals
- Adjustable tailpiece
- Spud coupling and flange for top spud connection

### VALVE HEIGHT OPTIONS:

		Vacuum Tube Length	Rough-in Height "A"
<input type="checkbox"/>	Standard	8-1/2" [216"]	11-1/2" [292]
<input type="checkbox"/>	-1	13" [330]	16" [406]
<input type="checkbox"/>	-2	21" [533]	24" [610]

### FLOW OPTIONS:

		Flush Volume	*WaterSense Labeled
<input type="checkbox"/>	-ULF	0.125 gpf	X
<input type="checkbox"/>	-EWS	0.5 gpf	X
<input type="checkbox"/>	-WS1	1.0 gpf	
<input type="checkbox"/>	-Standard	1.5 gpf	

### SUFFIX OPTIONS:

<input type="checkbox"/>	-D1	1" Supply
<input type="checkbox"/>	-FM12	Floor Mount 12" Rough In
<input type="checkbox"/>	-MOB	Manual Over-ride Button (Front of Body)
<input type="checkbox"/>	-YJ	Split Ring Pipe Support
<input type="checkbox"/>	-YK	Solid Ring Pipe Support



### Product Compliance:

ADA  
 ASSE 1037/ASME A112.1037/CSA B125.37  
 ASSE 1037  
 CSA B125.37  
 IPC  
 WaterSense

\*Complies with ADA & ICC A117.1 accessibility requirements when installed according to the requirements outlined in these standards.



\*This product should be used with a WaterSense labeled counterpart with a compatible flow volume to ensure that the entire system meets the requirements for water efficiency and performance.

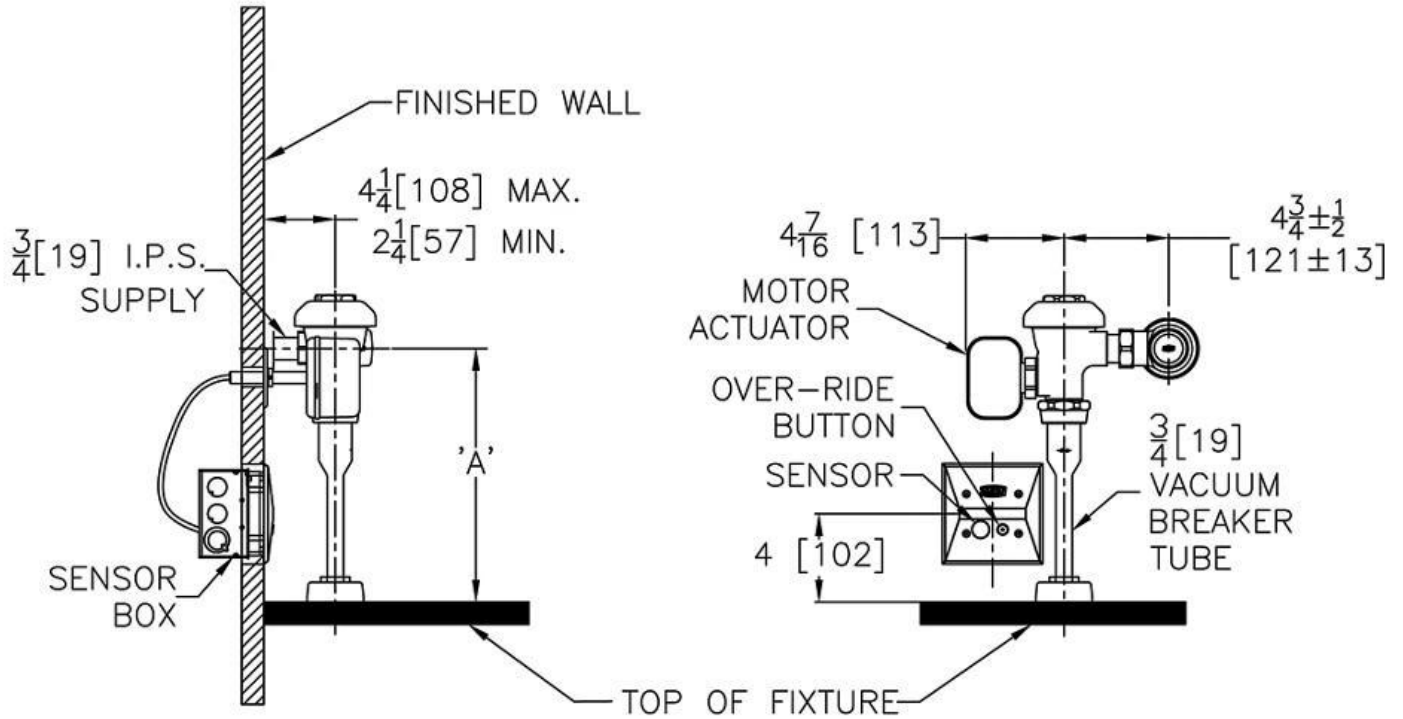
*\*Although products with certain combinations of options and features will meet or comply with these standards and/or certifications, not every combination of options and features will result in such compliance. If you have any questions about your particular product, please contact our Customer Care Dept. at 1-855-ONE-ZURN (United States) or 1-877-892-5216 (Canada) for confirmation.*

[Installation Guide - fv38.pdf](#)

Architectural/Engineering Approval

Design and dimensional data (inches and [mm]) are subject to manufacturing tolerances and change without notice.

⚠ WARNING: Cancer and Reproductive Harm – [www.P65warnings.ca.gov](http://www.P65warnings.ca.gov)  
 ⚠ ADVERTENCIA: Cáncer y daño reproductivo – [www.P65warnings.ca.gov](http://www.P65warnings.ca.gov)  
 ⚠ AVERTISSEMENT: Cancer et effets néfastes sur la reproduction – [www.P65warnings.ca.gov](http://www.P65warnings.ca.gov)



NOTE: All dimensions are for reference only. Do not use for pre-plumbing.

Design and dimensional data (inches and [mm]) are subject to manufacturing tolerances and change without notice.

⚠ WARNING: Cancer and Reproductive Harm - [www.P65warnings.ca.gov](http://www.P65warnings.ca.gov)  
 ⚠ ADVERTENCIA: Cáncer y daño reproductivo - [www.P65warnings.ca.gov](http://www.P65warnings.ca.gov)  
 ⚠ AVERTISSEMENT: Cancer et effets néfastes sur la reproduction - [www.P65warnings.ca.gov](http://www.P65warnings.ca.gov)