



Model(s) Z871S2-XL

AquaSpec® kitchen sink faucet with 8" bent riser spout and cross handles

TAG _____

Architectural/Engineering Specification:

Polished chrome-plated 8" [203mm] brass deck faucet with an 8" [203mm] bent riser spout and quarter turn ceramic disc cartridges. Unit is furnished with a 2.2 GPM [8.3 L] pressure compensating aerator (Complying with ANSI A112.18.1 Standard for flow), a vandalresistant color-coded metal four arm handles, mounting hardware and 1/2" NPSM coupling nuts for standard lavatory risers.

PRODUCT FEATURES:

- Ceramic Disc Cartridge
- Chrome-plated Cast Brass Body
- Vandal resistant color coded 4 arm handles

SUFFIX OPTIONS:

<input type="checkbox"/>	-HS	Hose and Spray
--------------------------	-----	----------------

AERATOR OPTIONS:

	Suffix	Flowrate GPM [L]	Vandal- Resistant	Pressure Compensating	Outlet Type
<input type="checkbox"/>	-16M	1.0 GPM [3.8L]	x	x	Spray
<input type="checkbox"/>	-17M	1.5 GPM [5.7L]	x	x	Aerator
<input type="checkbox"/>	-18M	1.5 GPM [5.7L]	x	x	Laminar
<input type="checkbox"/>	-22M	1.0 GPM [3.8L]	x		Laminar
<input type="checkbox"/>	-25M	0.35 GPM [1.3L]	x	x	Spray
<input type="checkbox"/>	-27M	0.5 GPM [1.9L]			Laminar
<input type="checkbox"/>	-28M	0.5 GPM [1.9L]	x		Laminar
<input type="checkbox"/>	-2M	2.2 GPM [8.3L]	x		Aerator
<input type="checkbox"/>	-3M	0.5 GPM [1.9L]	x		Spray
<input type="checkbox"/>	-4M	2.2 GPM [8.3L]	x		Laminar
<input type="checkbox"/>	-7M	1.0 GPM [3.8L]		x	Spray



Product Compliance: ADA

*Complies with ADA & ICC A117.1 accessibility requirements when installed according to the requirements outlined in these standards.

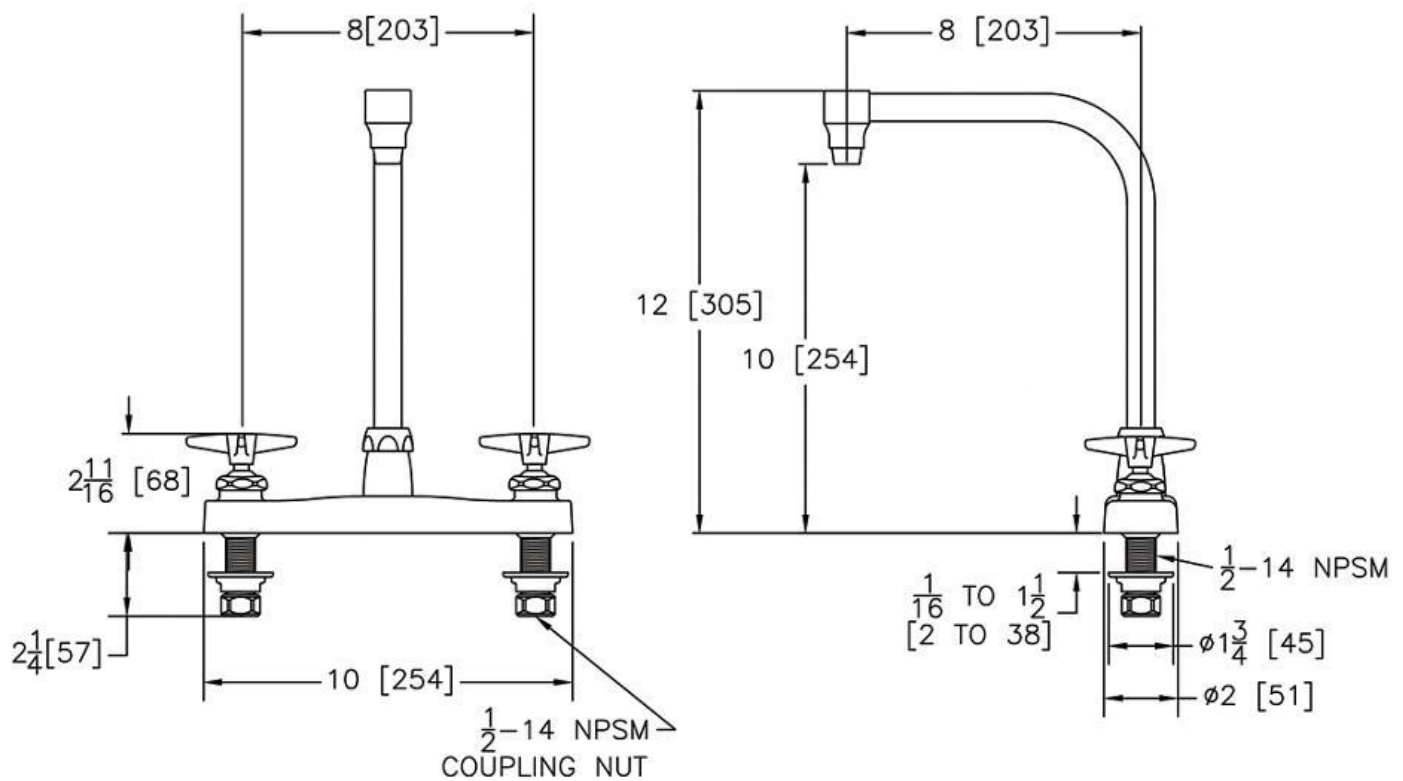
**Although products with certain combinations of options and features will meet or comply with these standards and/or certifications, not every combination of options and features will result in such compliance. If you have any questions about your particular product, please contact our Customer Care Dept. at 1-855-ONE-ZURN (United States) or 1-877-892-5216 (Canada) for confirmation.*

[Installation Guide - cf147.pdf](#)

Architectural/Engineering Approval

Design and dimensional data (inches and [mm]) are subject to manufacturing tolerances and change without notice.

⚠ WARNING: Cancer and Reproductive Harm – www.P65warnings.ca.gov
 ⚠ ADVERTENCIA: Cáncer y daño reproductivo – www.P65warnings.ca.gov
 ⚠ AVERTISSEMENT: Cancer et effets néfastes sur la reproduction – www.P65warnings.ca.gov



NOTE: All dimensions are for reference only. Do not use for pre-plumbing.

Design and dimensional data (inches and [mm]) are subject to manufacturing tolerances and change without notice.

⚠ WARNING: Cancer and Reproductive Harm - www.P65warnings.ca.gov
 ⚠ ADVERTENCIA: Cáncer y daño reproductivo - www.P65warnings.ca.gov
 ⚠ AVERTISSEMENT: Cancer et effets néfastes sur la reproduction - www.P65warnings.ca.gov