



Model(s) Z85500-XL-WM-EVB-HK-SE-SH

AquaSpec® Bedpan Washer, Wall Mount, Double Pedal, with Vacuum Breaker, Flanged Wall Supply, Spray Hose, Hook

TAG

Architectural/Engineering Specification:

Polished chrome plated brass wall mounted, self-closing double pedal bedpan washer with two 1/2" NPT angle stop inlets on 2-1/2" [64mm] centers and one 3/8" NPT female top outlet. Unit is furnished with an elevated vacuum breaker, a flanged wall supply, a 4' [122cm] vinyl spray hose with an insulated 6" [152mm] handle and hook.

PRODUCT FEATURES:

- Polymer metering cartridge sleeve for long life reliability
- Heavy-duty cast brass body
- Double foot pedal valve



**Although products with certain combinations of options and features will meet or comply with these standards and/or certifications, not every combination of options and features will result in such compliance. If you have any questions about your particular product, please contact our Customer Care Dept. at 1-855-ONE-ZURN (United States) or 1-877-892-5216 (Canada) for confirmation.*

[Installation Guide - CF148\(OLD\).pdf](#)

Architectural/Engineering Approval

Design and dimensional data (inches and [mm]) are subject to manufacturing tolerances and change without notice.

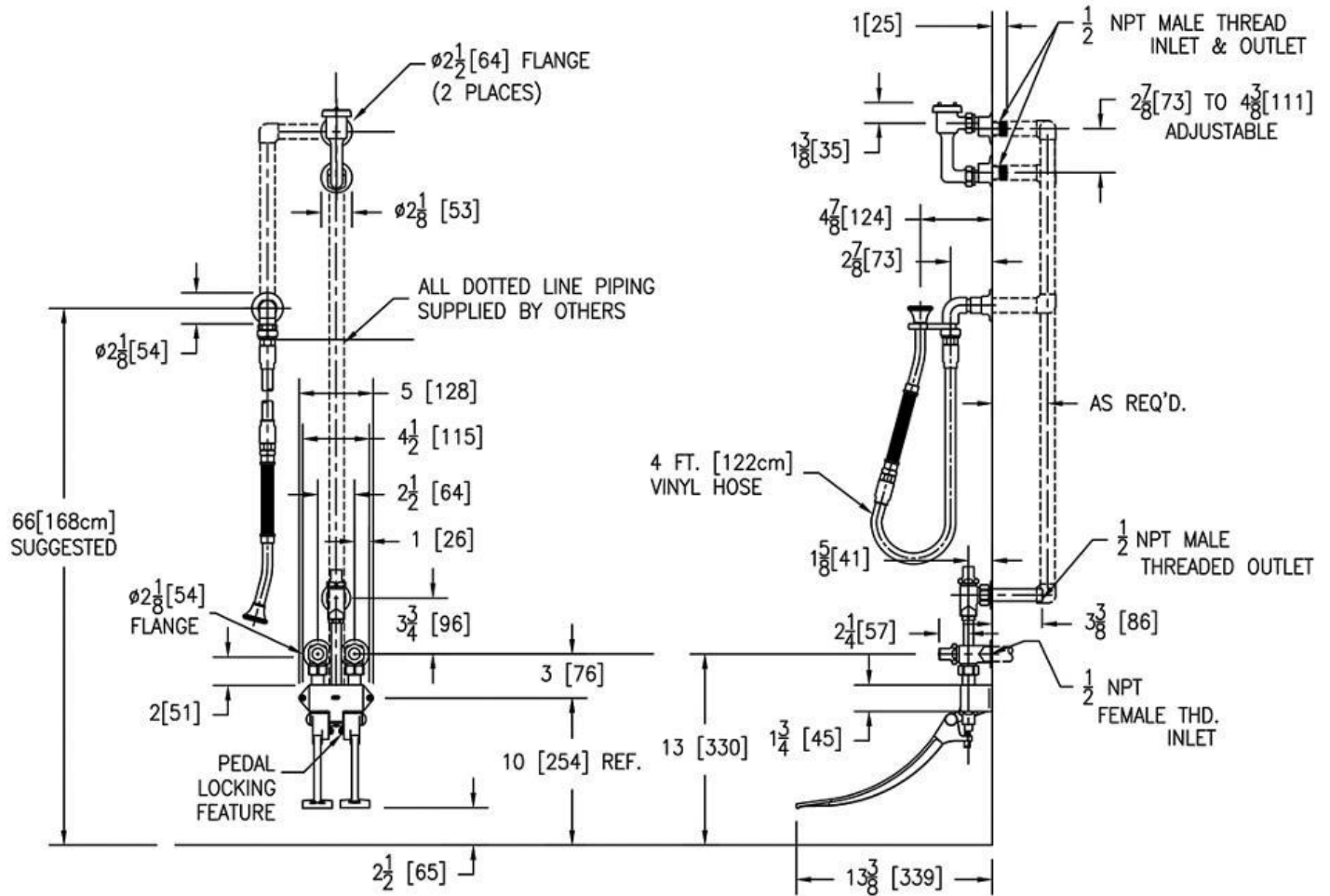
⚠ WARNING: Cancer and Reproductive Harm – www.P65warnings.ca.gov
⚠ ADVERTENCIA: Cáncer y daño reproductivo – www.P65warnings.ca.gov
⚠ AVERTISSEMENT: Cancer et effets néfastes sur la reproduction – www.P65warnings.ca.gov



Model(s) Z85500-XL-WM-EVB-HK-SE-SH

AquaSpec® Bedpan Washer, Wall Mount, Double Pedal, with Vacuum Breaker, Flanged Wall Supply, Spray Hose, Hook

TAG



NOTE: All dimensions are for reference only. Do not use for pre-plumbing.

Design and dimensional data (inches and [mm]) are subject to manufacturing tolerances and change without notice.

⚠ WARNING: Cancer and Reproductive Harm - www.P65warnings.ca.gov
 ⚠ ADVERTENCIA: Cáncer y daño reproductivo - www.P65warnings.ca.gov
 ⚠ AVERTISSEMENT: Cancer et effets néfastes sur la reproduction - www.P65warnings.ca.gov