



Model(s) Z842M6-XL

AquaSpec® Clinical Service Sink Faucet, Ceramic Disc

TAG _____

Architectural/Engineering Specification:

Polished chrome-plated cast brass 8" [203mm] clinical service sink faucet with quarter-turn ceramic disc cartridges, 3/8" [10mm] short swivel inlets providing adjustable centers from 7-1/4" [184mm] to 8-3/4" [222mm], integral stops and a 6" [152mm] centerline cast brass vacuum breaker spout with an integral 3/4" [19mm] hose threaded outlet, a pail hook and wall brace. Unit is furnished with 6" [152mm] vandal-resistant color-coded metal wrist blade handles. (Note: Atmospheric vacuum breaker not intended for continuous pressure applications.)

PRODUCT FEATURES:

- Heavy-Duty Quarter Turn Ceramic Disc Cartridge
- Chrome-Plated Cast Brass Body
- 3/8" Short Swivel Inlets with Integral Stops
- Adjustable Centers From 7-1/4" to 8-3/4"
- 6" Vandal-Resistant Color-Coded Metal Wrist Blade Handles

SUFFIX OPTIONS:

<input type="checkbox"/>	-5H	5' [152cm] Long Vinyl Hose Service Sink Hose with 3/4" Hose Connection
<input type="checkbox"/>	-WHK	Wall Hook



Product Compliance: ADA

*Complies with ADA & ICC A117.1 accessibility requirements when installed according to the requirements outlined in these standards.

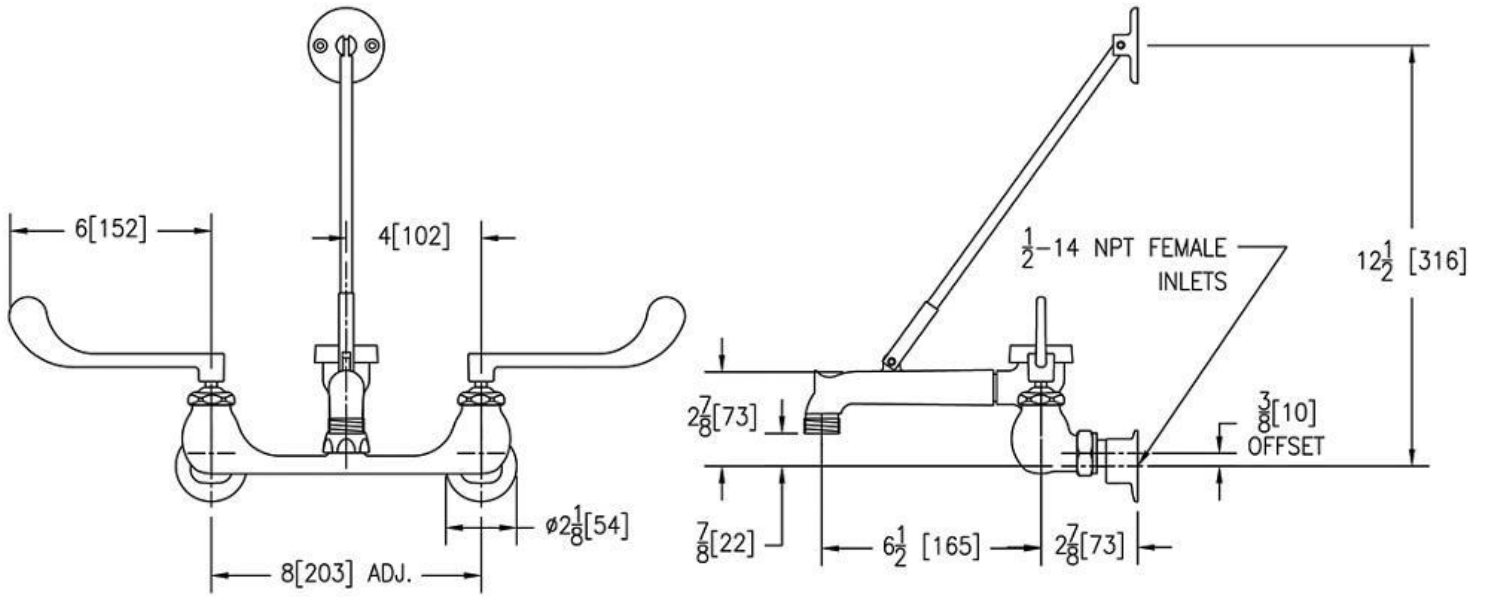
**Although products with certain combinations of options and features will meet or comply with these standards and/or certifications, not every combination of options and features will result in such compliance. If you have any questions about your particular product, please contact our Customer Care Dept. at 1-855-ONE-ZURN (United States) or 1-877-892-5216 (Canada) for confirmation.*

[Installation Guide - cf101.pdf](#)

Architectural/Engineering Approval

Design and dimensional data (inches and [mm]) are subject to manufacturing tolerances and change without notice.

⚠ WARNING: Cancer and Reproductive Harm – www.P65warnings.ca.gov
⚠ ADVERTENCIA: Cáncer y daño reproductivo – www.P65warnings.ca.gov
⚠ AVERTISSEMENT: Cancer et effets néfastes sur la reproduction – www.P65warnings.ca.gov



NOTE: All dimensions are for reference only. Do not use for pre-plumbing.

Design and dimensional data (inches and [mm]) are subject to manufacturing tolerances and change without notice.

⚠ WARNING: Cancer and Reproductive Harm – www.P65warnings.ca.gov
 ⚠ ADVERTENCIA: Cáncer y daño reproductivo – www.P65warnings.ca.gov
 ⚠ AVERTISSEMENT: Cancer et effets néfastes sur la reproduction – www.P65warnings.ca.gov