



Model(s) Z842F3-XL

AquaSpec® wall-mount sink faucet with 6" cast spout and dome lever handles

TAG _____

Architectural/Engineering Specification:

Polished chrome-plated cast brass 8" [203mm] sink faucet with quarter turn ceramic disc cartridges, 3/8" [10mm] short swivel inlets providing adjustable centers from 7-1/4" [184mm] to 8-3/4" [222mm] and a 6" [152mm] cast brass swing spout with a 2.2 GPM [8.3 L] pressure compensating aerator (complying with ANSI A112.18.1 Standard for flow). Unit is furnished with 2" [51mm] vandal-resistant color-coded metal dome lever handles.

Zurn Lead Compliant* "XL" products are a line of durable, high quality brass faucets and fixtures that are designed and manufactured to comply with state laws and local codes that mandate lead content levels. Zurn "XL" products are manufactured with *not more than 0.25% lead content when used with respect to wetted surfaces of pipes and pipe fittings, plumbing fitting and fixtures: California Health & Safety Code § 116875; Vermont 9 VCA § 2470h.

PRODUCT FEATURES:

- Ceramic Disc Cartridge
- Chrome-plated Cast Brass Body
- 2" vandal resistant color coded metal dome lever handles

AERATOR OPTIONS:

| | Suffix | Flowrate GPM [L] | Vandal- Resistant | Pressure Compensating | Outlet Type |
|--------------------------|--------|---------------------|----------------------|--------------------------|-------------|
| <input type="checkbox"/> | -16F | 1.0 GPM [3.8L] | x | x | Spray |
| <input type="checkbox"/> | -17F | 1.5 GPM [5.7L] | x | x | Aerator |
| <input type="checkbox"/> | -18F | 1.5 GPM [5.7L] | x | x | Laminar |
| <input type="checkbox"/> | -22F | 1.0 GPM [3.8L] | x | | Laminar |
| <input type="checkbox"/> | -25F | 0.35 GPM [1.3L] | x | x | Spray |
| <input type="checkbox"/> | -27F | 0.5 GPM [1.9L] | | | Laminar |
| <input type="checkbox"/> | -28F | 0.5 GPM [1.9L] | x | | Laminar |
| <input type="checkbox"/> | -2F | 2.2 GPM [8.3L] | x | | Aerator |
| <input type="checkbox"/> | -3F | 0.5 GPM [1.9L] | x | | Spray |
| <input type="checkbox"/> | -4F | 2.2 GPM [8.3L] | x | | Laminar |
| <input type="checkbox"/> | -7F | 1.0 GPM [3.8L] | | x | Spray |



Product Compliance: ADA

*Complies with ADA & ICC A117.1 accessibility requirements when installed according to the requirements outlined in these standards.

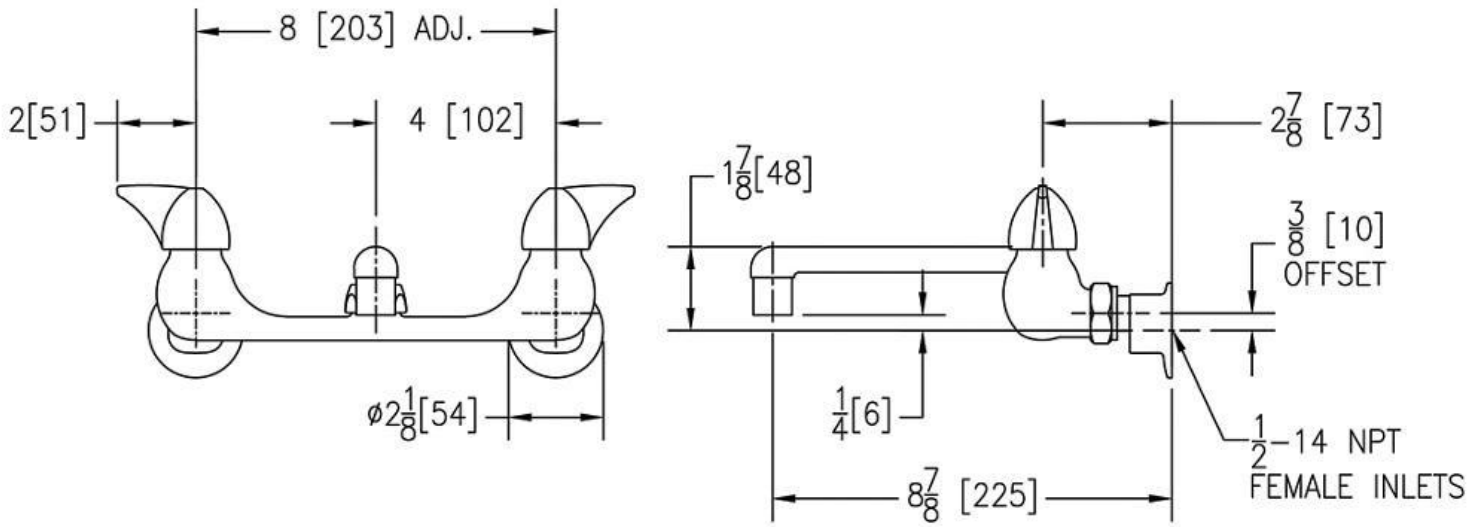
**Although products with certain combinations of options and features will meet or comply with these standards and/or certifications, not every combination of options and features will result in such compliance. If you have any questions about your particular product, please contact our Customer Care Dept. at 1-855-ONE-ZURN (United States) or 1-877-892-5216 (Canada) for confirmation.*

[Installation Guide - CF1202.pdf](#)

Architectural/Engineering Approval

Design and dimensional data (inches and [mm]) are subject to manufacturing tolerances and change without notice.

⚠ WARNING: Cancer and Reproductive Harm – www.P65warnings.ca.gov
⚠ ADVERTENCIA: Cáncer y daño reproductivo – www.P65warnings.ca.gov
⚠ AVERTISSEMENT: Cancer et effets néfastes sur la reproduction – www.P65warnings.ca.gov



NOTE: All dimensions are for reference only. Do not use for pre-plumbing.