



Model(s) Z842D1-5XT

AquaSpec® clinical service sink faucet with lever handles, bottom brace and 3/4" hose end

TAG

Architectural/Engineering Specification:

Polished chrome-plated cast brass 8" [203mm] sink faucet with quarter turn ceramic disc cartridges, 3/8" [10mm] short swivel inlets providing adjustable centers from 7-1/4" [184mm] to 8-3/4" [2220mm] with a 5" [127mm] extension and a 6" [152mm] centerline cast brass vacuum breaker spout with integral 3/4" hose-thread outlet with pail hook and a forked bottom brace. Unit is furnished with 2-1/2" [64mm] vandal-resistant color-coded metal lever handles. (Note: Atmospheric vacuum breaker not intended for continuous pressure applications.)

PRODUCT FEATURES:

- Heavy-duty quarter turn ceramic disc cartridge
- Chrome-plated cast brass body with 3/8" short swivel inlets providing adjustable centers from 7-1/4" to 8-3/4"
- 2-1/2" vandal-resistant color coded lever handles

SUFFIX OPTIONS:

<input type="checkbox"/>	-5H	5' [152cm] Long Vinyl Hose Service Sink Hose with 3/4" Hose Connection
<input type="checkbox"/>	-WHK	Wall Hook



Product Compliance: ADA

*Complies with ADA & ICC A117.1 accessibility requirements when installed according to the requirements outlined in these standards.

**Although products with certain combinations of options and features will meet or comply with these standards and/or certifications, not every combination of options and features will result in such compliance. If you have any questions about your particular product, please contact our Customer Care Dept. at 1-855-ONE-ZURN (United States) or 1-877-892-5216 (Canada) for confirmation.*

Architectural/Engineering Approval

Design and dimensional data (inches and [mm]) are subject to manufacturing tolerances and change without notice.

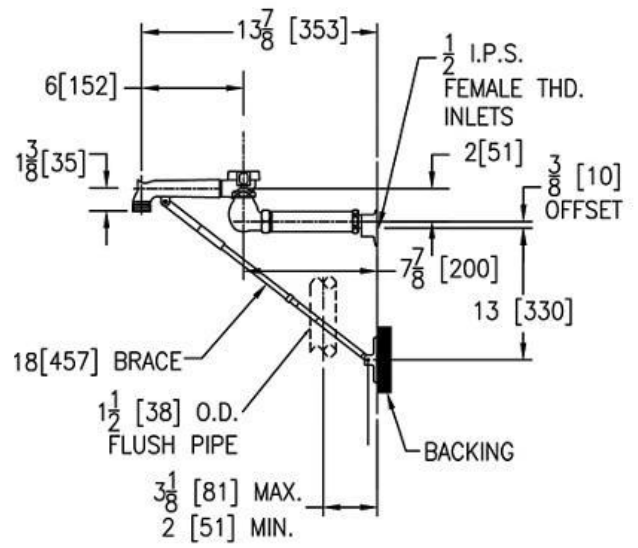
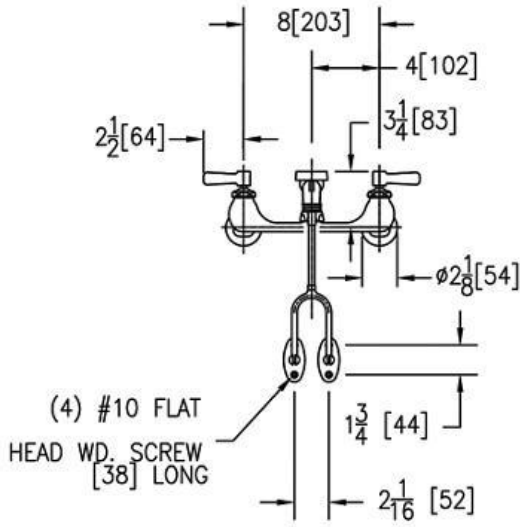
⚠ WARNING: Cancer and Reproductive Harm – www.P65warnings.ca.gov
 ⚠ ADVERTENCIA: Cáncer y daño reproductivo – www.P65warnings.ca.gov
 ⚠ AVERTISSEMENT: Cancer et effets néfastes sur la reproduction – www.P65warnings.ca.gov



Model(s) Z842D1-5XT

AquaSpec® clinical service sink faucet with lever handles, bottom brace and 3/4" hose end

TAG



NOTE: All dimensions are for reference only. Do not use for pre-plumbing.

Design and dimensional data (inches and [mm]) are subject to manufacturing tolerances and change without notice.

⚠ WARNING: Cancer and Reproductive Harm - www.P65warnings.ca.gov

⚠ ADVERTENCIA: Cáncer y daño reproductivo - www.P65warnings.ca.gov

⚠ AVERTISSEMENT: Cancer et effets néfastes sur la reproduction - www.P65warnings.ca.gov