



Model(s) Z841M3

AquaSpec® wall-mount service sink faucet with 6" vacuum breaker spout, dome lever handles, pail hook, 3/4" hose end and brace

TAG _____

Architectural/Engineering Specification:

Polished chrome-plated cast brass service sink faucet with quarter turn ceramic disc cartridges, 2-1/2" [64mm] long swivel inlets (with integral stops) providing adjustable centers from 4" [102mm] to 8-3/8" [213mm] and a 6" [152mm] centerline cast brass vacuum breaker spout with an integral 3/4" hose threaded outlet, pail hook and wall brace. Unit is provided with vandal-resistant color-coded metal dome lever handles. (Note: Atmospheric vacuum breaker not intended for continuous pressure applications.)

PRODUCT FEATURES:

- Ceramic Disc Cartridge
- Chrome-plated Cast Brass Body
- 2" vandal resistant color coded metal dome lever handles

SUFFIX OPTIONS:

<input type="checkbox"/>	-5H	5' [152cm] Long Vinyl Hose Service Sink Hose with 3/4" Hose Connection
<input type="checkbox"/>	-WHK	Wall Hook



Product Compliance: ADA

*Complies with ADA & ICC A117.1 accessibility requirements when installed according to the requirements outlined in these standards.

**Although products with certain combinations of options and features will meet or comply with these standards and/or certifications, not every combination of options and features will result in such compliance. If you have any questions about your particular product, please contact our Customer Care Dept. at 1-855-ONE-ZURN (United States) or 1-877-892-5216 (Canada) for confirmation.*

[Installation Guide - cf97.pdf](#)

Architectural/Engineering Approval

Design and dimensional data (inches and [mm]) are subject to manufacturing tolerances and change without notice.

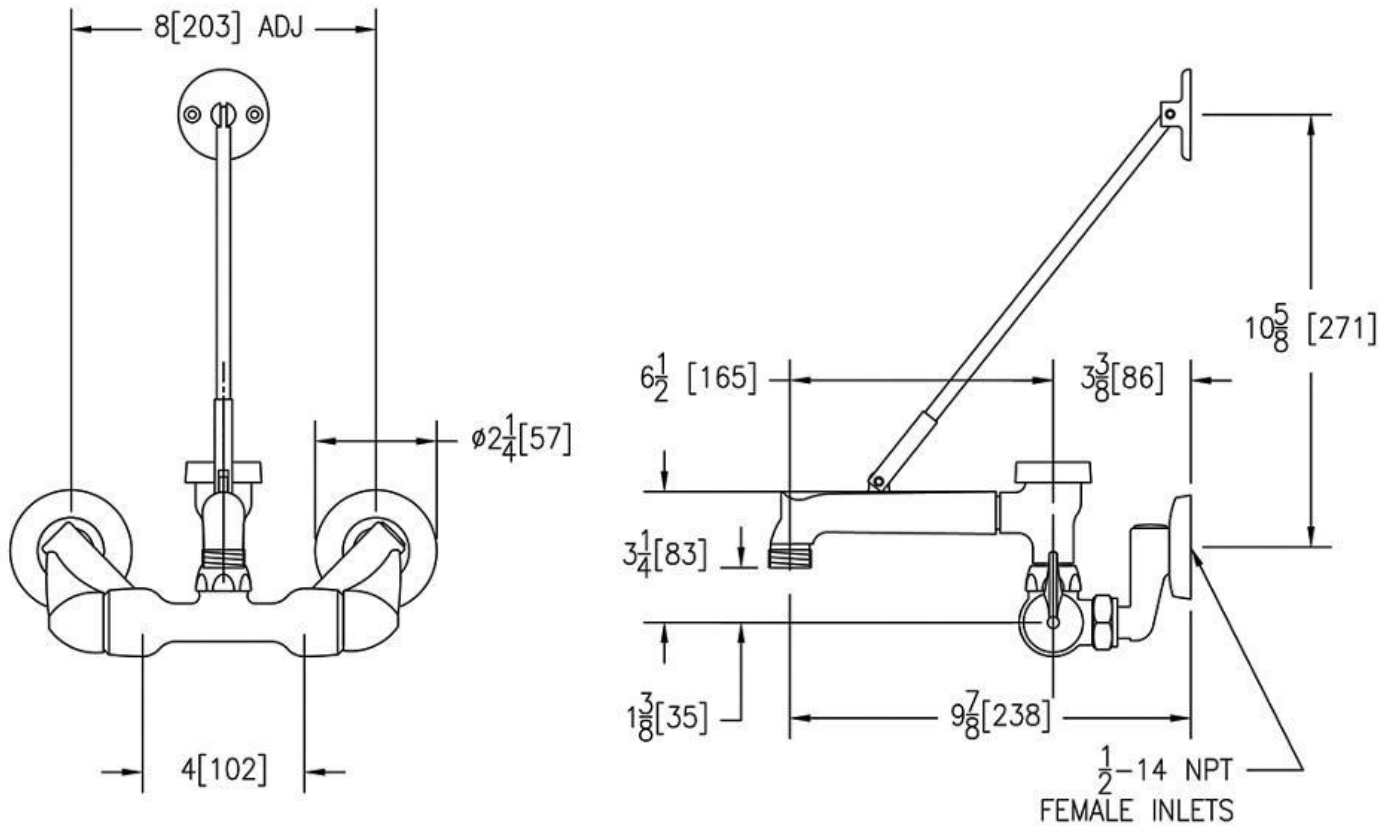
⚠ WARNING: Cancer and Reproductive Harm – www.P65warnings.ca.gov
 ⚠ ADVERTENCIA: Cáncer y daño reproductivo – www.P65warnings.ca.gov
 ⚠ AVERTISSEMENT: Cancer et effets néfastes sur la reproduction – www.P65warnings.ca.gov



Model(s) Z841M3

AquaSpec® wall-mount service sink faucet with 6" vacuum breaker spout, dome lever handles, pail hook, 3/4" hose end and brace

TAG



NOTE: All dimensions are for reference only. Do not use for pre-plumbing.

Design and dimensional data (inches and [mm]) are subject to manufacturing tolerances and change without notice.

⚠ WARNING: Cancer and Reproductive Harm - www.P65warnings.ca.gov
⚠ ADVERTENCIA: Cáncer y daño reproductivo - www.P65warnings.ca.gov
⚠ AVERTISSEMENT: Cancer et effets néfastes sur la reproduction - www.P65warnings.ca.gov