



# Model(s) Z841C3-XL

AquaSpec® wall-mount service sink faucet with 8" gooseneck and dome lever handles (lead free)

TAG

### Architectural/Engineering Specification:

Polished chrome-plated cast brass service sink faucet with quarter turn ceramic disc cartridges, 2-1/2" [64mm] long swivel inlets (with integral stops) providing adjustable centers from 4" [102mm] to 8-3/8" [213mm] and a 8" [203mm] cast brass swing spout with a 2.2 GPM [8.3 L] pressure compensating aerator (complying with ANSI A112.18.1 Standard for flow). Unit is provided with 2" [51mm] vandal-resistant color-coded metal dome lever handles.

### PRODUCT FEATURES:

- 2" vandal resistant color coded metal dome lever handles
- Low-lead compliant chrome plated cast brass body with 2-1/2" long swivel inlets with integral stops providing adjustable centers from 4" to 8-3/8"
- Ceramic Disc Cartridge
- Chrome-plated Cast Brass Body

### SUFFIX OPTIONS:

<input type="checkbox"/>	-140	140 degree Restricted Swing Gooseneck Spout
--------------------------	------	---

### AERATOR OPTIONS:

	Suffix	Flowrate GPM [L]	Vandal- Resistant	Pressure Compensating	Outlet Type
<input type="checkbox"/>	-16F	1.0 GPM [3.8L]	x	x	Spray
<input type="checkbox"/>	-17F	1.5 GPM [5.7L]	x	x	Aerator
<input type="checkbox"/>	-18F	1.5 GPM [5.7L]	x	x	Laminar
<input type="checkbox"/>	-22F	1.0 GPM [3.8L]	x		Laminar
<input type="checkbox"/>	-25F	0.35 GPM [1.3L]	x	x	Spray
<input type="checkbox"/>	-28F	0.5 GPM [1.9L]	x		Laminar
<input type="checkbox"/>	-2F	2.2 GPM [8.3L]	x		Aerator
<input type="checkbox"/>	-3F	0.5 GPM [1.9L]	x		Spray
<input type="checkbox"/>	-4F	2.2 GPM [8.3L]	x		Laminar
<input type="checkbox"/>	-7F	1.0 GPM [3.8L]		x	Spray
<input type="checkbox"/>	-FC2.0	2.0 GPM [7.6L]		x	
<input type="checkbox"/>	-FC0.5	0.5 GPM [1.9L]		x	
<input type="checkbox"/>	-FC1.0	1.0 GPM [3.8L]		x	
<input type="checkbox"/>	-FC1.5	1.5 GPM [5.7L]		x	
<input type="checkbox"/>	-27F	0.5 GPM [1.9L]			Laminar



Product Compliance: ADA

\*Complies with ADA & ICC A117.1 accessibility requirements when installed according to the requirements outlined in these standards.

*\*Although products with certain combinations of options and features will meet or comply with these standards and/or certifications, not every combination of options and features will result in such compliance. If you have any questions about your particular product, please contact our Customer Care Dept. at 1-855-ONE-ZURN (United States) or 1-877-892-5216 (Canada) for confirmation.*

Architectural/Engineering Approval

Design and dimensional data (inches and [mm]) are subject to manufacturing tolerances and change without notice.

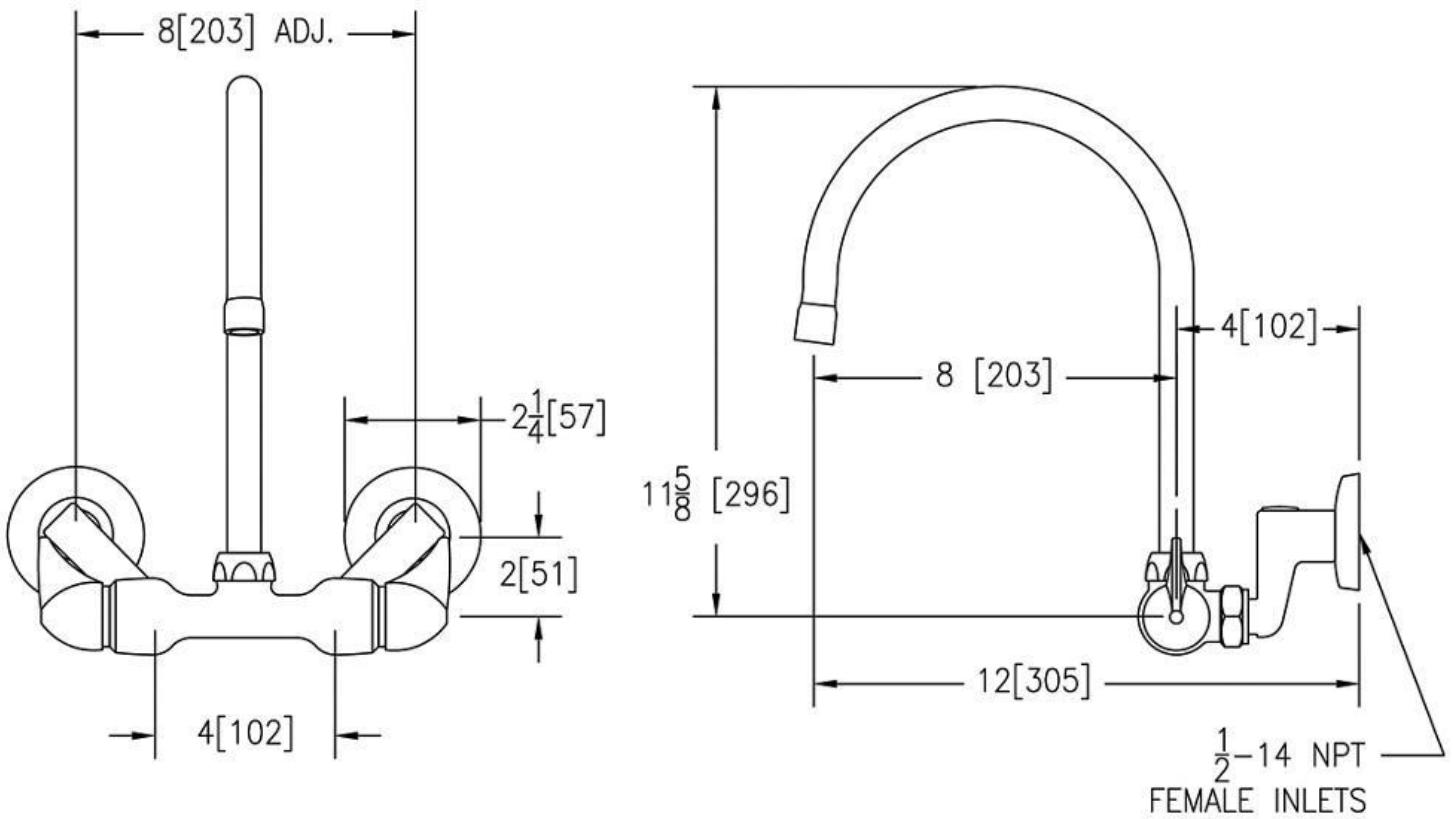
⚠ WARNING: Cancer and Reproductive Harm – [www.P65warnings.ca.gov](http://www.P65warnings.ca.gov)  
⚠ ADVERTENCIA: Cáncer y daño reproductivo – [www.P65warnings.ca.gov](http://www.P65warnings.ca.gov)  
⚠ AVERTISSEMENT: Cancer et effets néfastes sur la reproduction – [www.P65warnings.ca.gov](http://www.P65warnings.ca.gov)



# Model(s) Z841C3-XL

AquaSpec® wall-mount service sink faucet with 8" gooseneck and dome lever handles (lead free)

TAG



NOTE: All dimensions are for reference only. Do not use for pre-plumbing.

Design and dimensional data (inches and [mm]) are subject to manufacturing tolerances and change without notice.

⚠ WARNING: Cancer and Reproductive Harm - [www.P65warnings.ca.gov](http://www.P65warnings.ca.gov)  
⚠ ADVERTENCIA: Cáncer y daño reproductivo - [www.P65warnings.ca.gov](http://www.P65warnings.ca.gov)  
⚠ AVERTISSEMENT: Cancer et effets néfastes sur la reproduction - [www.P65warnings.ca.gov](http://www.P65warnings.ca.gov)