



Model(s) Z841A2-XL

AquaSpec® wall-mount service sink faucet with 3-1/2" gooseneck and cross handles (lead free)

TAG

Architectural/Engineering Specification:

Polished chrome-plated cast brass service sink faucet with quarter turn ceramic disc cartridges, 2-1/2" [64mm] long swivel inlets (with integral stops) providing adjustable centers from 4" [102mm] to 8-3/8" [213mm] and a 3 1/2" [89mm] rigid or swing gooseneck spout. Unit is furnished with a 2.2 GPM [8.3 L] pressure compensating aerator (complying with ANSI A112.18.1 Standard for flow) and vandal-resistant colorcoded four arm metal handles.

PRODUCT FEATURES:

- Vandal resistant color coded 4 arm handles
- Low-lead compliant chrome plated cast brass body with 2-1/2" long swivel inlets with integral stops providing adjustable centers from 4" to 8-3/8"
- Ceramic Disc Cartridge
- Chrome-plated Cast Brass Body

SUFFIX OPTIONS:

<input type="checkbox"/>	-140	140 degree Restricted Swing Gooseneck Spout
--------------------------	------	---

AERATOR OPTIONS:

	Suffix	Flowrate GPM [L]	Vandal- Resistant	Pressure Compensating	Outlet Type
<input type="checkbox"/>	-16F	1.0 GPM [3.8L]	x	x	Spray
<input type="checkbox"/>	-17F	1.5 GPM [5.7L]	x	x	Aerator
<input type="checkbox"/>	-18F	1.5 GPM [5.7L]	x	x	Laminar
<input type="checkbox"/>	-22F	1.0 GPM [3.8L]	x		Laminar
<input type="checkbox"/>	-25F	0.35 GPM [1.3L]	x	x	Spray
<input type="checkbox"/>	-28F	0.5 GPM [1.9L]	x		Laminar
<input type="checkbox"/>	-2F	2.2 GPM [8.3L]	x		Aerator
<input type="checkbox"/>	-3F	0.5 GPM [1.9L]	x		Spray
<input type="checkbox"/>	-4F	2.2 GPM [8.3L]	x		Laminar
<input type="checkbox"/>	-7F	1.0 GPM [3.8L]		x	Spray
<input type="checkbox"/>	-FC2.0	2.0 GPM [7.6L]		x	
<input type="checkbox"/>	-FC0.5	0.5 GPM [1.9L]		x	
<input type="checkbox"/>	-FC1.0	1.0 GPM [3.8L]		x	
<input type="checkbox"/>	-FC1.5	1.5 GPM [5.7L]		x	
<input type="checkbox"/>	-27F	0.5 GPM [1.9L]			Laminar



Product Compliance: ADA

*Complies with ADA & ICC A117.1 accessibility requirements when installed according to the requirements outlined in these standards.

**Although products with certain combinations of options and features will meet or comply with these standards and/or certifications, not every combination of options and features will result in such compliance. If you have any questions about your particular product, please contact our Customer Care Dept. at 1-855-ONE-ZURN (United States) or 1-877-892-5216 (Canada) for confirmation.*

Architectural/Engineering Approval

Design and dimensional data (inches and [mm]) are subject to manufacturing tolerances and change without notice.

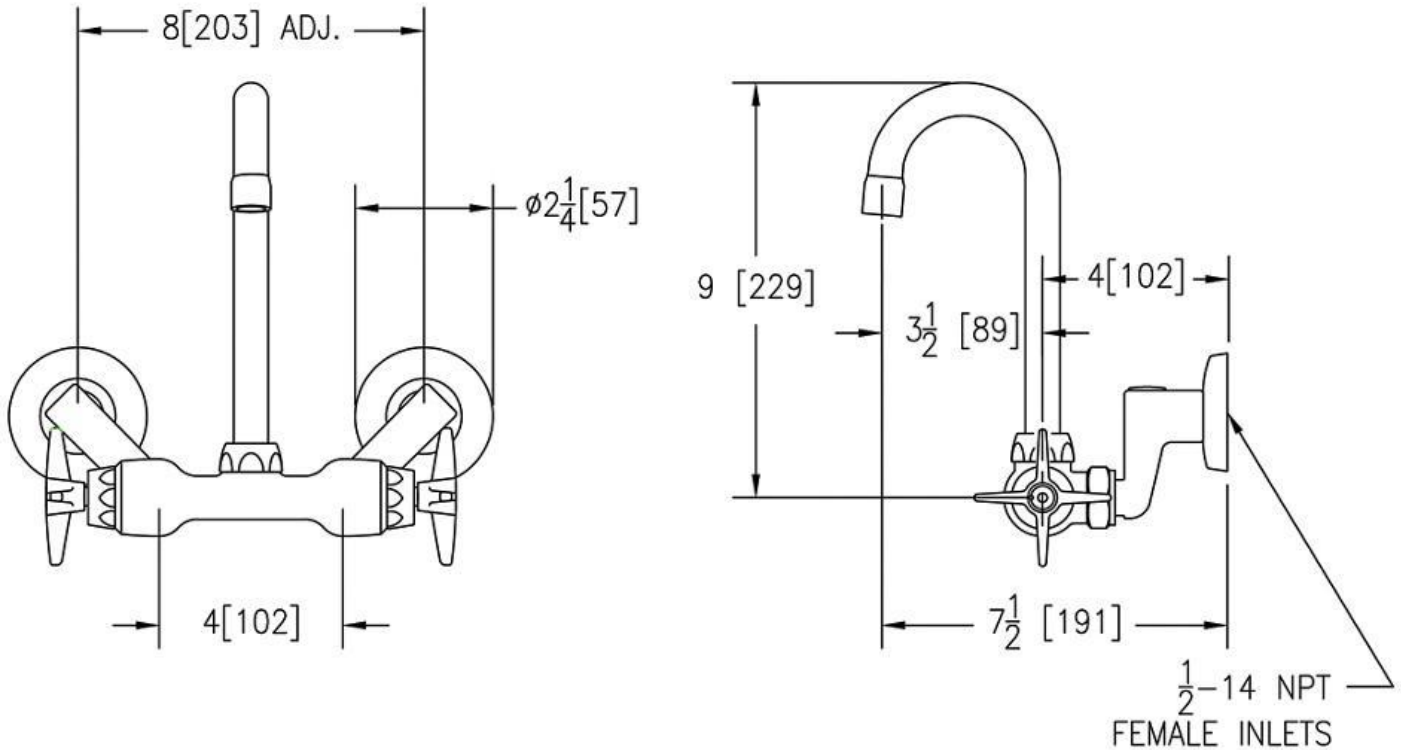
⚠ WARNING: Cancer and Reproductive Harm – www.P65warnings.ca.gov
 ⚠ ADVERTENCIA: Cáncer y daño reproductivo – www.P65warnings.ca.gov
 ⚠ AVERTISSEMENT: Cancer et effets néfastes sur la reproduction – www.P65warnings.ca.gov



Model(s) Z841A2-XL

AquaSpec® wall-mount service sink faucet with 3-1/2" gooseneck and cross handles (lead free)

TAG



NOTE: All dimensions are for reference only. Do not use for pre-plumbing.

Design and dimensional data (inches and [mm]) are subject to manufacturing tolerances and change without notice.

⚠ WARNING: Cancer and Reproductive Harm - www.P65warnings.ca.gov
⚠ ADVERTENCIA: Cáncer y daño reproductivo - www.P65warnings.ca.gov
⚠ AVERTISSEMENT: Cancer et effets néfastes sur la reproduction - www.P65warnings.ca.gov