



Model(s) Z83600-XL

Polished Chrome Plated Cast Brass Self-Closing Bubbler

TAG _____

Architectural/Engineering Specification:

Polished chrome plated cast brass self-closing bubbler with an internal filter, an angled stream nozzle, a cast metal push handle, a flexible mouth guard with ZurnSHIELDTM technology, and a manual volume control.

Zurn Lead Free products (-XL) are manufactured to comply with Section 1417 of the Safe Drinking Water Act (SDWA) which mandates the weighted average lead content of no more than 0.25% of the wetted surface.

*ZurnSHIELDTM protects the mouth guard by inhibiting the growth of stain and odor causing mold mildew and bacteria, thus reducing the amount of time, chemicals and water to clean the mouth guard.



Product Compliance: ADA
NSF 372

*Complies with ADA & ICC A117.1 accessibility requirements when installed according to the requirements outlined in these standards.

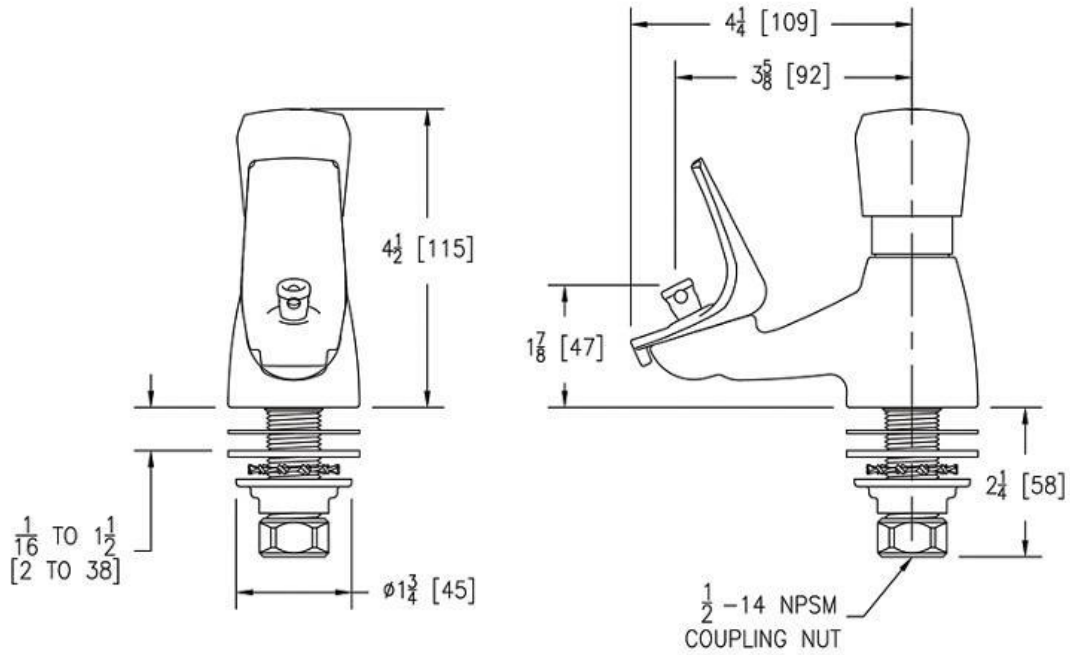
**Although products with certain combinations of options and features will meet or comply with these standards and/or certifications, not every combination of options and features will result in such compliance. If you have any questions about your particular product, please contact our Customer Care Dept. at 1-855-ONE-ZURN (United States) or 1-877-892-5216 (Canada) for confirmation.*

[Installation Guide - CF1060.pdf](#)

Architectural/Engineering Approval

Design and dimensional data (inches and [mm]) are subject to manufacturing tolerances and change without notice.

⚠️ WARNING: Cancer and Reproductive Harm – www.P65warnings.ca.gov
⚠️ ADVERTENCIA: Cáncer y daño reproductivo – www.P65warnings.ca.gov
⚠️ AVERTISSEMENT: Cancer et effets néfastes sur la reproduction – www.P65warnings.ca.gov



NOTE: All dimensions are for reference only. Do not use for pre-plumbing.