



Model(s) Z831H4-XL

AquaSpec® widespread faucet with 12" tubular spout and 4" wrist blade handles

TAG

Architectural/Engineering Specification:

Polished chrome-plated widespread with adjustable centers from 6"[152mm] to 20"[508mm], a 12"[305mm] tubular brass swing spout and quarter turn ceramic disc cartridges. Unit is furnished with a 2.2 GPM [8.3 L] pressure compensating aerator (complying with ANSI A112.18.1 Standard for flow), 4" [102mm] vandalresistant color-coded metal wrist blade handles, mounting hardware and 1/2" NPSM coupling nuts for standard lavatory risers. Widespread accommodates installations up to 1-1/8" [29mm] thick.

Zurn Lead Compliant* "XL" products are a line of durable, high quality brass faucets and fixtures that are designed and manufactured to comply with state laws and local codes that mandate lead content levels. Zurn "XL" products are manufactured with *not more than 0.25% lead content when used with respect to wetted surfaces of pipes and pipe fittings, plumbing fitting and fixtures: California Health & Safety Code § 116875; Vermont 9 VCA § 2470h.

PRODUCT FEATURES:

- Ceramic Disc Cartridge
- Chrome-plated Cast Brass Body
- Widespread Handles Adjustable From 6" to 20" Centers
- 4" Vandal Resistant Color Coded Wrist Blade Handles

SUFFIX OPTIONS:

<input type="checkbox"/>	-G	1-1/4" [32mm] Grid Strainer Drain
<input type="checkbox"/>	-HS	Hose and Spray
<input type="checkbox"/>	-ICT	Inter-connecting Copper Supply Tubes for 8" In-line Centers
<input type="checkbox"/>	-P	1-1/4" [32mm] Pop-up Drain

AERATOR OPTIONS:

	Suffix	Flowrate GPM [L]	Vandal- Resistant	WaterSense* Labeled	Pressure Compensating	Outlet Type
<input type="checkbox"/>	-16F	1.0 GPM [3.8L]	x		x	Spray
<input type="checkbox"/>	-17F	1.5 GPM [5.7L]	x	x	x	Aerator
<input type="checkbox"/>	-18F	1.5 GPM [5.7L]	x	x	x	Laminar
<input type="checkbox"/>	-22F	1.0 GPM [3.8L]	x			Laminar
<input type="checkbox"/>	-25F	0.35 GPM [1.3L]	x		x	Spray
<input type="checkbox"/>	-27F	0.5 GPM [1.9L]				Laminar
<input type="checkbox"/>	-28F	0.5 GPM [1.9L]	x			Laminar
<input type="checkbox"/>	-2F	2.2 GPM [8.3L]	x			Aerator
<input type="checkbox"/>	-3F	0.5 GPM [1.9L]	x			Spray
<input type="checkbox"/>	-4F	2.2 GPM [8.3L]	x			Laminar
<input type="checkbox"/>	-7F	1.0 GPM [3.8L]		x	x	Spray



Product Compliance:

ADA
 ASME A112.18.1/CSA B125.1
 CSA B125.1
 NSF 61

*Complies with ADA & ICC A117.1 accessibility requirements when installed according to the requirements outlined in these standards.

*Although products with certain combinations of options and features will meet or comply with these standards and/or certifications, not every combination of options and features will result in such compliance. If you have any questions about your particular product, please contact our Customer Care Dept. at 1-855-ONE-ZURN (United States) or 1-877-892-5216 (Canada) for confirmation.

[Installation Guide - CF1197.pdf](#)

Architectural/Engineering Approval

Design and dimensional data (inches and [mm]) are subject to manufacturing tolerances and change without notice.

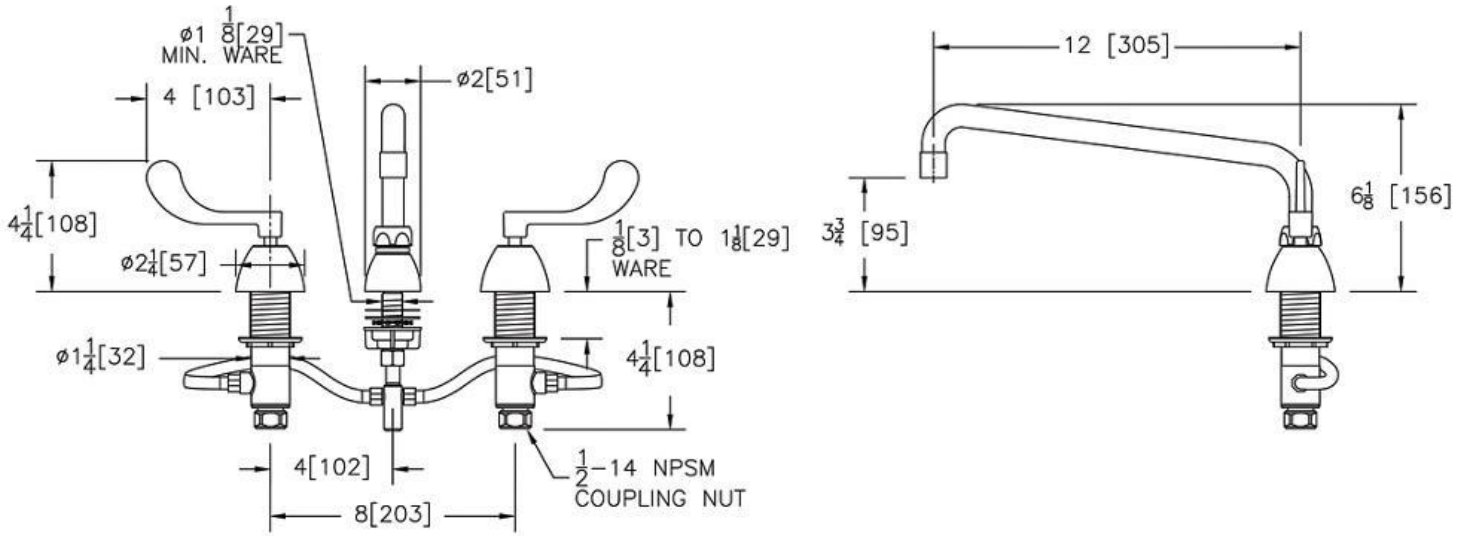
⚠ WARNING: Cancer and Reproductive Harm – www.P65warnings.ca.gov
 ⚠ ADVERTENCIA: Cáncer y daño reproductivo – www.P65warnings.ca.gov
 ⚠ AVERTISSEMENT: Cancer et effets néfastes sur la reproduction – www.P65warnings.ca.gov



Model(s) Z831H4-XL

AquaSpec® widespread faucet with 12" tubular spout and 4" wrist blade handles

TAG



NOTE: All dimensions are for reference only. Do not use for pre-plumbing.

Design and dimensional data (inches and [mm]) are subject to manufacturing tolerances and change without notice.

⚠ WARNING: Cancer and Reproductive Harm - www.P65warnings.ca.gov
⚠ ADVERTENCIA: Cáncer y daño reproductivo - www.P65warnings.ca.gov
⚠ AVERTISSEMENT: Cancer et effets néfastes sur la reproduction - www.P65warnings.ca.gov