



# Model(s) Z831H3-XL

AquaSpec® widespread faucet with 12" tubular spout and dome lever handles (lead-free)

TAG

### Architectural/Engineering Specification:

Polished chrome-plated widespread with adjustable centers from 6"[152mm] to 20"[508mm], a 12"[305mm] tubular brass swing spout and quarter turn ceramic disc cartridges. Unit is furnished with a 2.2 GPM [8.3 L] pressure compensating aerator (complying with ANSI A112.18.1 Standard for flow), 2" [51mm] vandal-resistant color-coded metal dome lever handles, mounting hardware and 1/2" NPSM coupling nuts for standard lavatory risers. Widespread accommodates installations up to 1-1/8" [29mm] thick.

### PRODUCT FEATURES:

- Ceramic Disc Cartridge
- Chrome-plated Cast Brass Body
- 2" vandal resistant color coded metal dome lever handles

### SUFFIX OPTIONS:

<input type="checkbox"/>	-G	1-1/4" [32mm] Grid Strainer Drain
<input type="checkbox"/>	-HS	Hose and Spray
<input type="checkbox"/>	-ICT	Inter-connecting Copper Supply Tubes for 8" In-line Centers
<input type="checkbox"/>	-P	1-1/4" [32mm] Pop-up Drain

### AERATOR OPTIONS:

	Suffix	Flowrate GPM [L]	Vandal- Resistant	WaterSense* Labeled	Pressure Compensating	Outlet Type
<input type="checkbox"/>	-16F	1.0 GPM [3.8L]	x		x	Spray
<input type="checkbox"/>	-17F	1.5 GPM [5.7L]	x	x	x	Aerator
<input type="checkbox"/>	-18F	1.5 GPM [5.7L]	x	x	x	Laminar
<input type="checkbox"/>	-22F	1.0 GPM [3.8L]	x			Laminar
<input type="checkbox"/>	-25F	0.35 GPM [1.3L]	x		x	Spray
<input type="checkbox"/>	-27F	0.5 GPM [1.9L]				Laminar
<input type="checkbox"/>	-28F	0.5 GPM [1.9L]	x			Laminar
<input type="checkbox"/>	-2F	2.2 GPM [8.3L]	x			Aerator
<input type="checkbox"/>	-3F	0.5 GPM [1.9L]	x			Spray
<input type="checkbox"/>	-4F	2.2 GPM [8.3L]	x			Laminar
<input type="checkbox"/>	-7F	1.0 GPM [3.8L]		x	x	Spray



Product Compliance: ADA

\*Complies with ADA & ICC A117.1 accessibility requirements when installed according to the requirements outlined in these standards.

*\*Although products with certain combinations of options and features will meet or comply with these standards and/or certifications, not every combination of options and features will result in such compliance. If you have any questions about your particular product, please contact our Customer Care Dept. at 1-855-ONE-ZURN (United States) or 1-877-892-5216 (Canada) for confirmation.*

[Installation Guide - CF1197.pdf](#)

Architectural/Engineering Approval

Design and dimensional data (inches and [mm]) are subject to manufacturing tolerances and change without notice.

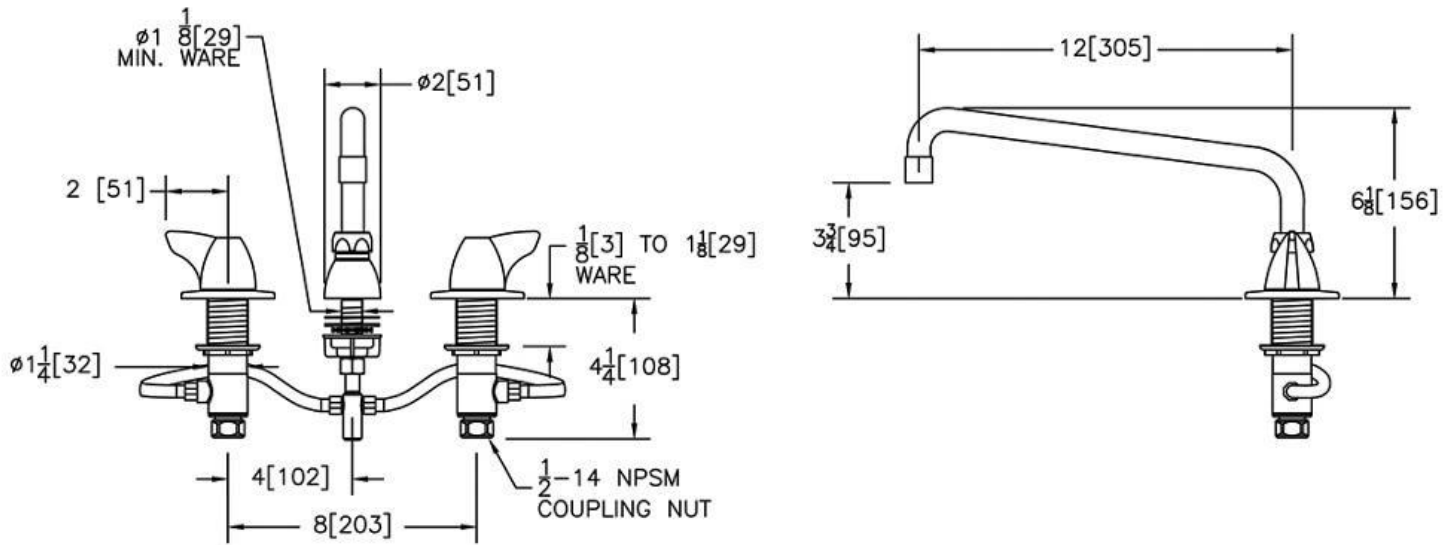
⚠ WARNING: Cancer and Reproductive Harm – [www.P65warnings.ca.gov](http://www.P65warnings.ca.gov)  
⚠ ADVERTENCIA: Cáncer y daño reproductivo – [www.P65warnings.ca.gov](http://www.P65warnings.ca.gov)  
⚠ AVERTISSEMENT: Cancer et effets néfastes sur la reproduction – [www.P65warnings.ca.gov](http://www.P65warnings.ca.gov)



# Model(s) Z831H3-XL

AquaSpec® widespread faucet with 12" tubular spout and dome lever handles  
(lead-free)

TAG



NOTE: All dimensions are for reference only. Do not use for pre-plumbing.

Design and dimensional data (inches and [mm]) are subject to manufacturing tolerances and change without notice.

⚠ WARNING: Cancer and Reproductive Harm - [www.P65warnings.ca.gov](http://www.P65warnings.ca.gov)  
⚠ ADVERTENCIA: Cáncer y daño reproductivo - [www.P65warnings.ca.gov](http://www.P65warnings.ca.gov)  
⚠ AVERTISSEMENT: Cancer et effets néfastes sur la reproduction - [www.P65warnings.ca.gov](http://www.P65warnings.ca.gov)