



Model(s) Z812M2-XL

AquaSpec® centerset 6" vacuum breaker spout with cross handles

TAG _____

Architectural/Engineering Specification:

Polished chrome-plated cast brass faucet body with integral shanks, quarter turn ceramic disc cartridges and a 6" [152mm] centerline cast brass vacuum breaker spout with integral 3/4" hose threaded outlet, pail hook and wall brace. Unit is furnished with vandal-resistant colorcoded metal four arm handles, mounting hardware and 1/2" NPSM coupling nuts for standard lavatory risers. (Note: Atmospheric vacuum breaker not intended for continuous pressure applications.)

PRODUCT FEATURES:

- Ceramic Disc Cartridge
- Chrome-plated Cast Brass Body
- Four arm vandal-resistant color coded handles

SUFFIX OPTIONS:

<input type="checkbox"/>	-5H	5' [152cm] Long Vinyl Hose Service Sink Hose with 3/4" Hose Connection
<input type="checkbox"/>	-CS	Check Stops
<input type="checkbox"/>	-G	1-1/4" [32mm] Grid Strainer Drain
<input type="checkbox"/>	-P	1-1/4" [32mm] Pop-up Drain
<input type="checkbox"/>	-WHK	Wall Hook



Product Compliance: ADA

*Complies with ADA & ICC A117.1 accessibility requirements when installed according to the requirements outlined in these standards.

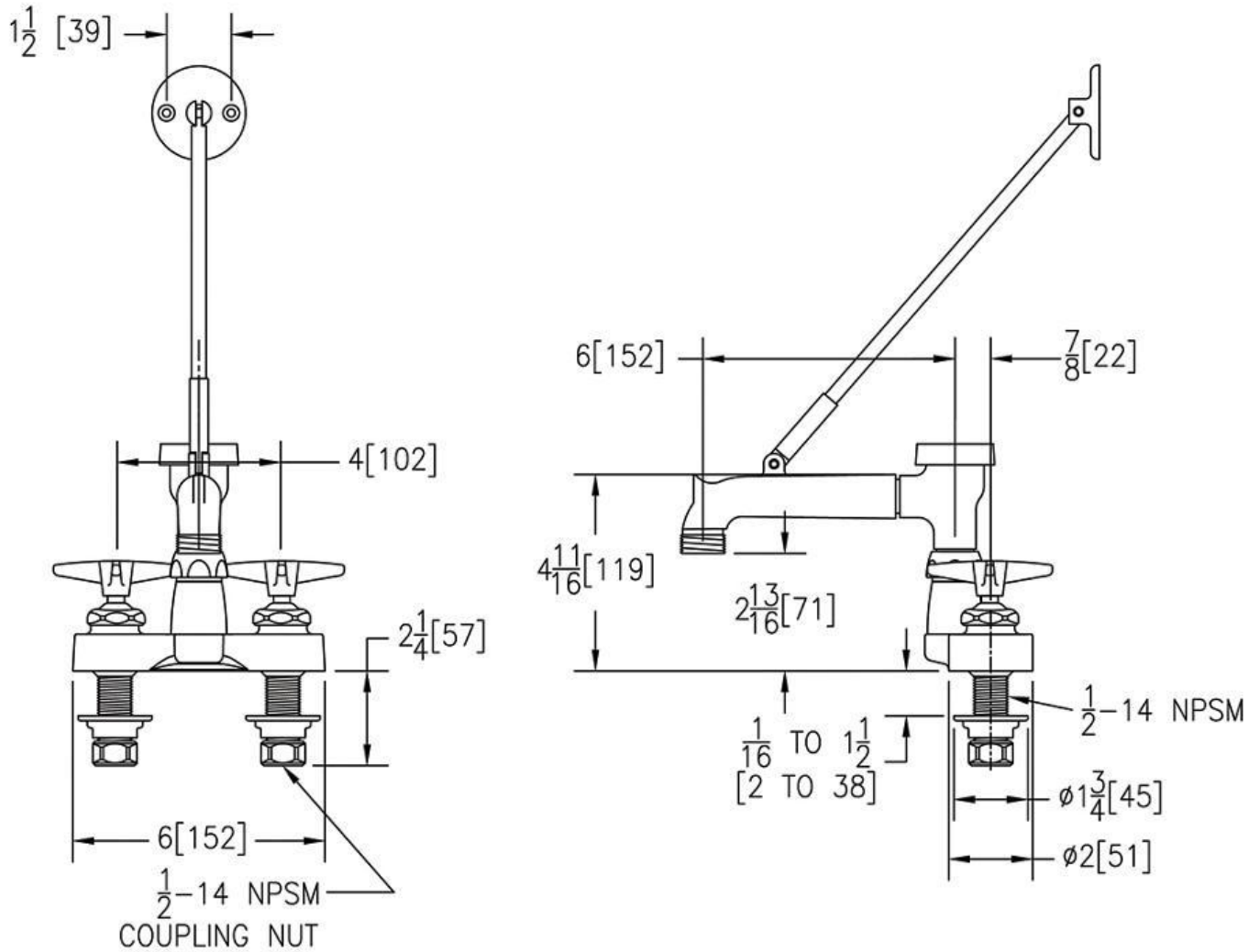
**Although products with certain combinations of options and features will meet or comply with these standards and/or certifications, not every combination of options and features will result in such compliance. If you have any questions about your particular product, please contact our Customer Care Dept. at 1-855-ONE-ZURN (United States) or 1-877-892-5216 (Canada) for confirmation.*

[Installation Guide - CF1170.pdf](#)

Architectural/Engineering Approval

Design and dimensional data (inches and [mm]) are subject to manufacturing tolerances and change without notice.

⚠ WARNING: Cancer and Reproductive Harm – www.P65warnings.ca.gov
⚠ ADVERTENCIA: Cáncer y daño reproductivo – www.P65warnings.ca.gov
⚠ AVERTISSEMENT: Cancer et effets néfastes sur la reproduction – www.P65warnings.ca.gov



NOTE: All dimensions are for reference only. Do not use for pre-plumbing.

Design and dimensional data (inches and [mm]) are subject to manufacturing tolerances and change without notice.

⚠ WARNING: Cancer and Reproductive Harm - www.P65warnings.ca.gov

⚠ ADVERTENCIA: Cáncer y daño reproductivo - www.P65warnings.ca.gov

⚠ AVERTISSEMENT: Cancer et effets néfastes sur la reproduction - www.P65warnings.ca.gov