



# Model(s) Z812G2-XL

AquaSpec® centerset 8" cast spout with cross handles

TAG \_\_\_\_\_

### Architectural/Engineering Specification:

Polished chrome-plated cast brass faucet body with integral shanks, quarter turn ceramic disc cartridges and a 8" [203mm] cast brass swing spout. Unit is furnished with a 2.2 GPM [8.3 L] pressure compensating aerator (complying with ANSI A112.18.1 Standard for flow), vandal-resistant color-coded metal four arm handles, mounting hardware and 1/2" NPSM coupling nuts for standard lavatory risers.

Zurn Lead Compliant\* "XL" products are a line of durable, high quality brass faucets and fixtures that are designed and manufactured to comply with state laws and local codes that mandate lead content levels. Zurn "XL" products are manufactured with \*not more than 0.25% lead content when used with respect to wetted surfaces of pipes and pipe fittings, plumbing fitting and fixtures: California Health & Safety Code § 116875; Vermont 9 VCA § 2470h.

### PRODUCT FEATURES:

- Ceramic Disc Cartridge
- Chrome-plated Cast Brass Body
- Vandal resistant color coded 4 arm handles

### SUFFIX OPTIONS:

<input type="checkbox"/>	-G	1-1/4" [32mm] Grid Strainer Drain
<input type="checkbox"/>	-P	1-1/4" [32mm] Pop-up Drain

### AERATOR OPTIONS:

	Suffix	Flowrate GPM [L]	Vandal- Resistant	WaterSense* Labeled	Pressure Compensating	Outlet Type
<input type="checkbox"/>	-17F	1.5 GPM [5.7L]	x	x	x	Aerator
<input type="checkbox"/>	-7F	1.0 GPM [3.8L]		x	x	Spray
<input type="checkbox"/>	-18F	1.5 GPM [5.7L]	x	x	x	Laminar
<input type="checkbox"/>	-16F	1.0 GPM [3.8L]	x		x	Spray
<input type="checkbox"/>	-22F	1.0 GPM [3.8L]	x			Laminar
<input type="checkbox"/>	-25F	0.35 GPM [1.3L]	x		x	Spray
<input type="checkbox"/>	-28F	0.5 GPM [1.9L]	x			Laminar
<input type="checkbox"/>	-2F	2.2 GPM [8.3L]	x			Aerator
<input type="checkbox"/>	-3F	0.5 GPM [1.9L]	x			Spray
<input type="checkbox"/>	-4F	2.2 GPM [8.3L]	x			Laminar
<input type="checkbox"/>	-27F	0.5 GPM [1.9L]				Laminar



### Product Compliance:

ADA  
 ASME A112.18.1/CSA B125.1  
 IPC  
 NSF 61  
 NSF 372

\*Complies with ADA & ICC A117.1 accessibility requirements when installed according to the requirements outlined in these standards.

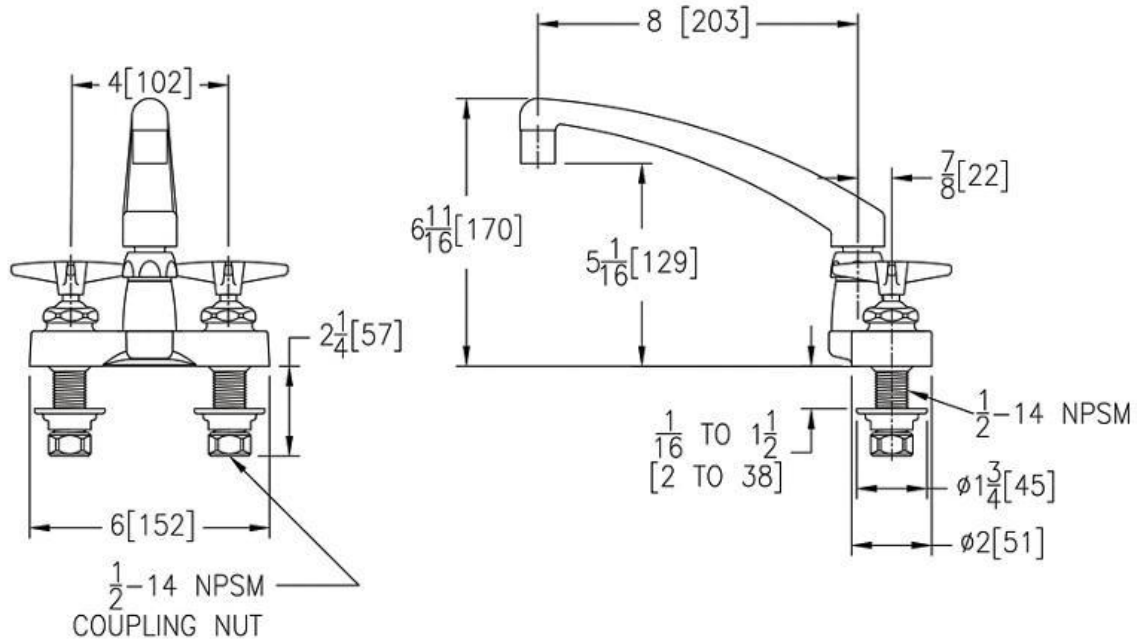
*\*Although products with certain combinations of options and features will meet or comply with these standards and/or certifications, not every combination of options and features will result in such compliance. If you have any questions about your particular product, please contact our Customer Care Dept. at 1-855-ONE-ZURN (United States) or 1-877-892-5216 (Canada) for confirmation.*

[Installation Guide - CF1170.pdf](#)

Architectural/Engineering Approval

Design and dimensional data (inches and [mm]) are subject to manufacturing tolerances and change without notice.

⚠ WARNING: Cancer and Reproductive Harm – [www.P65warnings.ca.gov](http://www.P65warnings.ca.gov)  
 ⚠ ADVERTENCIA: Cáncer y daño reproductivo – [www.P65warnings.ca.gov](http://www.P65warnings.ca.gov)  
 ⚠ AVERTISSEMENT: Cancer et effets néfastes sur la reproduction – [www.P65warnings.ca.gov](http://www.P65warnings.ca.gov)



NOTE: All dimensions are for reference only. Do not use for pre-plumbing.