



Model(s) Z7300-SS-MT-HW-T2

Temp-Gard® III Tub and Shower Unit

TAG

Architectural/Engineering Specification:

Single handle pressure balancing mixing tub and shower unit, ceramic control cartridge with stainless steel balancing piston, built in reverse connection capability (To reverse the hot and cold inlets simply remove cartridge and turn 180o), two service stops / check stops, and adjustable limit stop. When valve is turned on it must rotate from cold through to the hot position. All exposed trim and handle are metal with polished nickel chrome plated surface. Valve supplied with diverter style tub spout, standard hand/wall shower head, hand/wall unit, 60"[1524mm] flexible metal hose, 24"[610mm] mounting bar, supply elbow and flange. The valve inlets, shower and tub outlet are all standard with 1/2" NPT female thread connections. The 1/2" copper sweat options must be specified as shown below. Supplied with 2.5 GPM hand held shower head.

PRODUCT FEATURES:

- Single handle pressure balancing mixing tub and shower unit
- Diverter style tub spout, standard hand/wall shower head, hand/wall unit, 60" flexible metal hose, 24" mounting bar, supply elbow and flange
- Adjustable limit stop

SUFFIX OPTIONS:

<input type="checkbox"/>	-EXT	Extension Kit, Extends Valve Out by 1"
<input type="checkbox"/>	-PEX	1/2" Male NPT by Pex Adaptors, shipped loose to be installed in the field
<input type="checkbox"/>	-SSC	1/2" Female Copper Sweat Connections w/ Service Stops
<input type="checkbox"/>	-WF	Wall Mounting Flange For Fiberglass or Panel Wall Installation



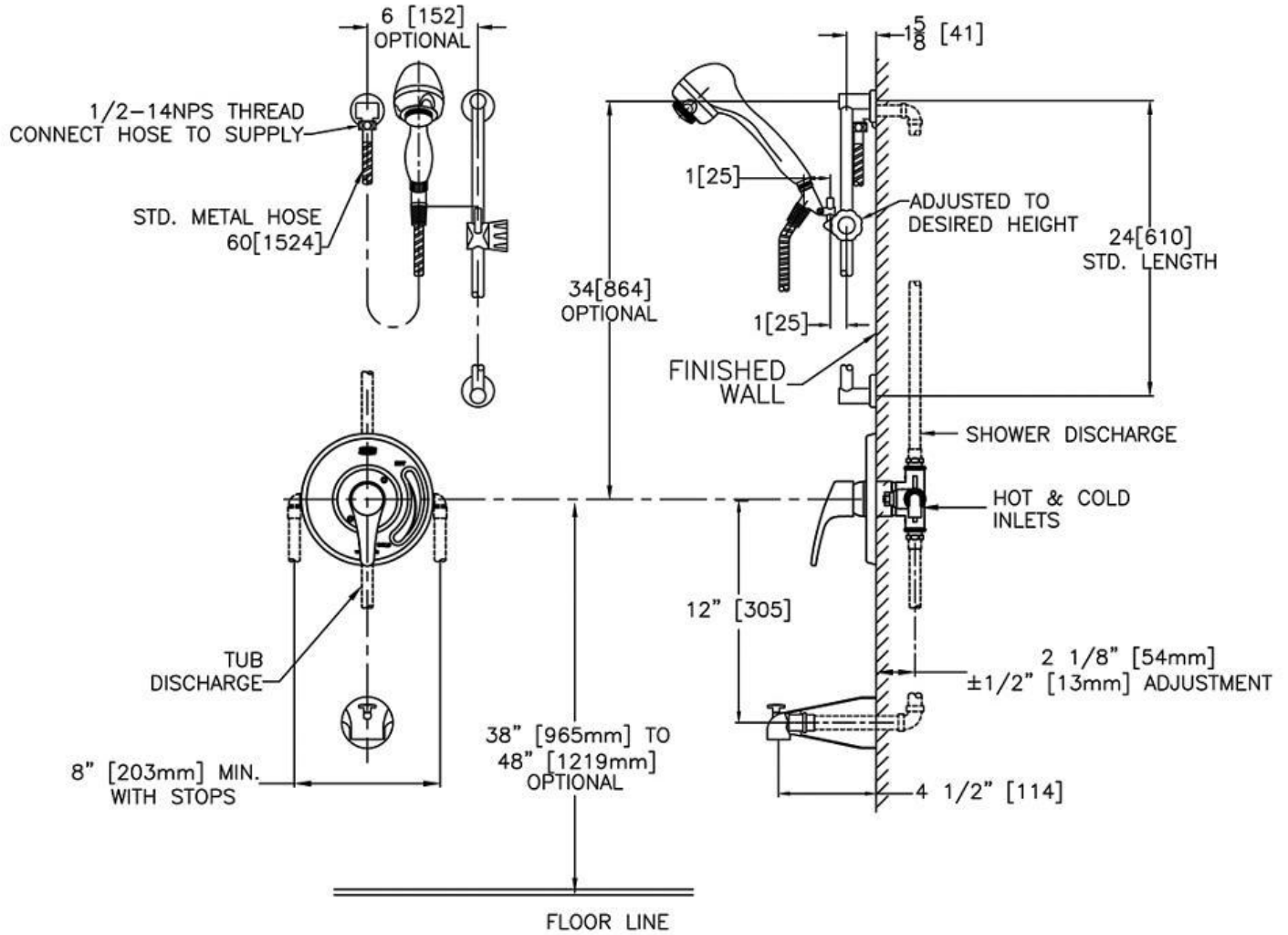
**Although products with certain combinations of options and features will meet or comply with these standards and/or certifications, not every combination of options and features will result in such compliance. If you have any questions about your particular product, please contact our Customer Care Dept. at 1-855-ONE-ZURN (United States) or 1-877-892-5216 (Canada) for confirmation.*

[Installation Guide - CF1024.pdf](#)

Architectural/Engineering Approval

Design and dimensional data (inches and [mm]) are subject to manufacturing tolerances and change without notice.

⚠ WARNING: Cancer and Reproductive Harm – www.P65warnings.ca.gov
⚠ ADVERTENCIA: Cáncer y daño reproductivo – www.P65warnings.ca.gov
⚠ AVERTISSEMENT: Cancer et effets néfastes sur la reproduction – www.P65warnings.ca.gov



NOTE: All dimensions are for reference only. Do not use for pre-plumbing.