



Model(s) Z7000-S5

Temp-Gard Large Brass Shower Head W/ Volume Control

TAG

Architectural/Engineering Specification:

Self-cleaning brass shower head with hard chrome plated finish, brass chrome plated ball joint connector, maximum flow rate 2.5 GPM at 80 PSI, 1/2" NPT female threaded inlet, body width spray pattern adjusts from needle shower to heavy wash.

FLOW OPTIONS:

<input type="checkbox"/>	-1.25	Water Saver Flow Control, 1.25 GPM
<input type="checkbox"/>	-1.5	Water Saver Flow Control, 1.5 GPM
<input type="checkbox"/>	-1.75	Water Saver Flow Control, 1.75 GPM
<input type="checkbox"/>	-2.0	Water Saver Flow Control, 2.0 GPM



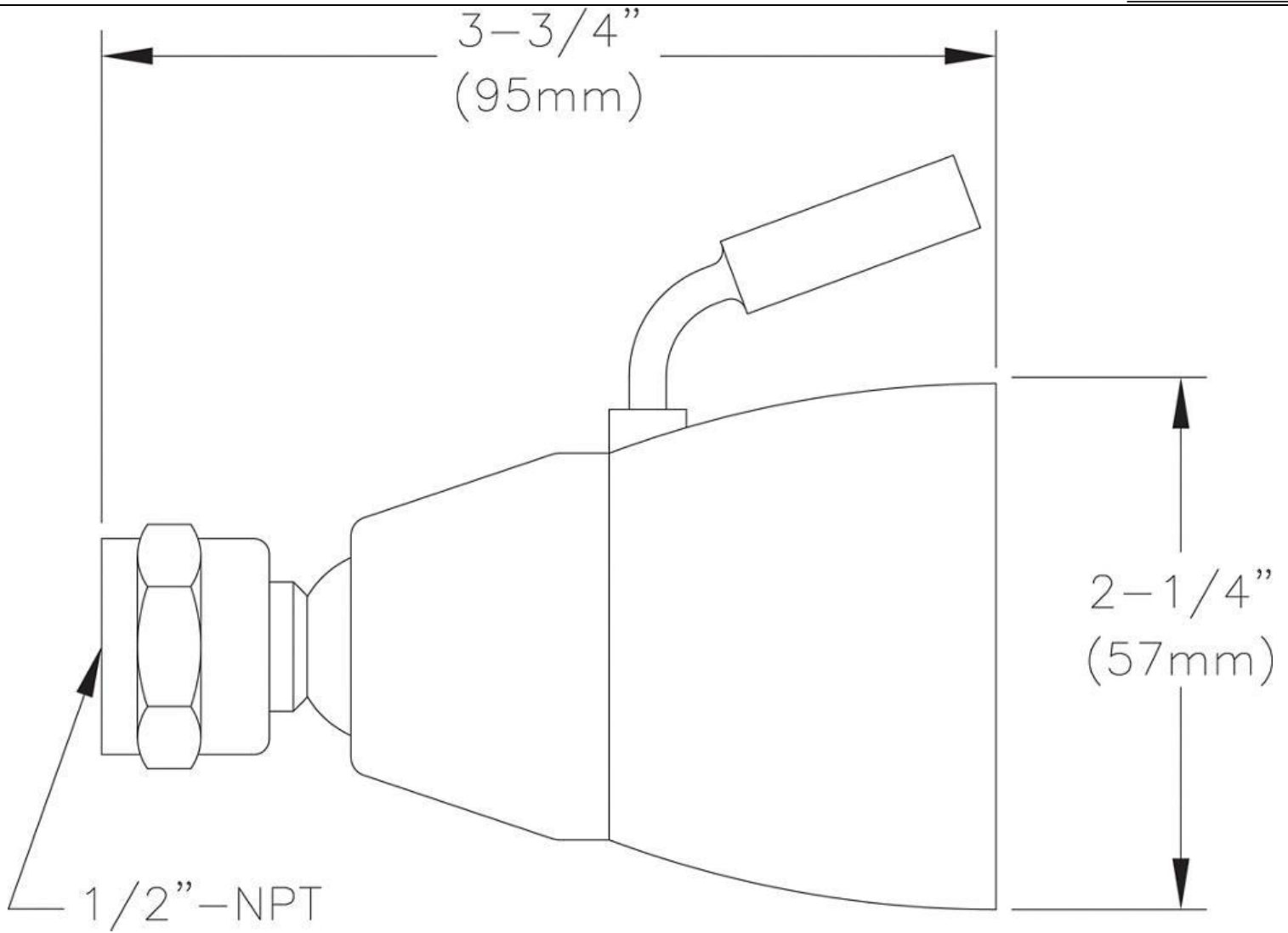
Product Compliance: ASME A112.18.1/CSA B125.1
WaterSense

**Although products with certain combinations of options and features will meet or comply with these standards and/or certifications, not every combination of options and features will result in such compliance. If you have any questions about your particular product, please contact our Customer Care Dept. at 1-855-ONE-ZURN (United States) or 1-877-892-5216 (Canada) for confirmation.*

Architectural/Engineering Approval

Design and dimensional data (inches and [mm]) are subject to manufacturing tolerances and change without notice.

⚠ WARNING: Cancer and Reproductive Harm – www.P65warnings.ca.gov
⚠ ADVERTENCIA: Cáncer y daño reproductivo – www.P65warnings.ca.gov
⚠ AVERTISSEMENT: Cancer et effets néfastes sur la reproduction – www.P65warnings.ca.gov



NOTE: All dimensions are for reference only. Do not use for pre-plumbing.

Design and dimensional data (inches and [mm]) are subject to manufacturing tolerances and change without notice.

⚠ WARNING: Cancer and Reproductive Harm - www.P65warnings.ca.gov
⚠ ADVERTENCIA: Cáncer y daño reproductivo - www.P65warnings.ca.gov
⚠ AVERTISSEMENT: Cancer et effets néfastes sur la reproduction - www.P65warnings.ca.gov