



Model(s) Z7000-i9

Temp-Gard® Institutional Shower Head, 1.5 GPM

TAG

Architectural/Engineering Specification:

Chrome plated plastic, self-cleaning shower head, chrome plated brass ball joint connector, and bronze body institutional wall mount with hard chrome plated finish. 1.5 GPM [5.7 L] flowrate with non-removable flow compensator, which keeps flowrate constant regardless of water pressure. Comes standard with 1/2" NPT female threaded inlet, outer ring spray adjustment for coarse or soft message spray, and 4 mounting screws. Vandal resistant.

SUFFIX OPTIONS:

<input type="checkbox"/>	-AP	Anchor Plate
--------------------------	-----	--------------

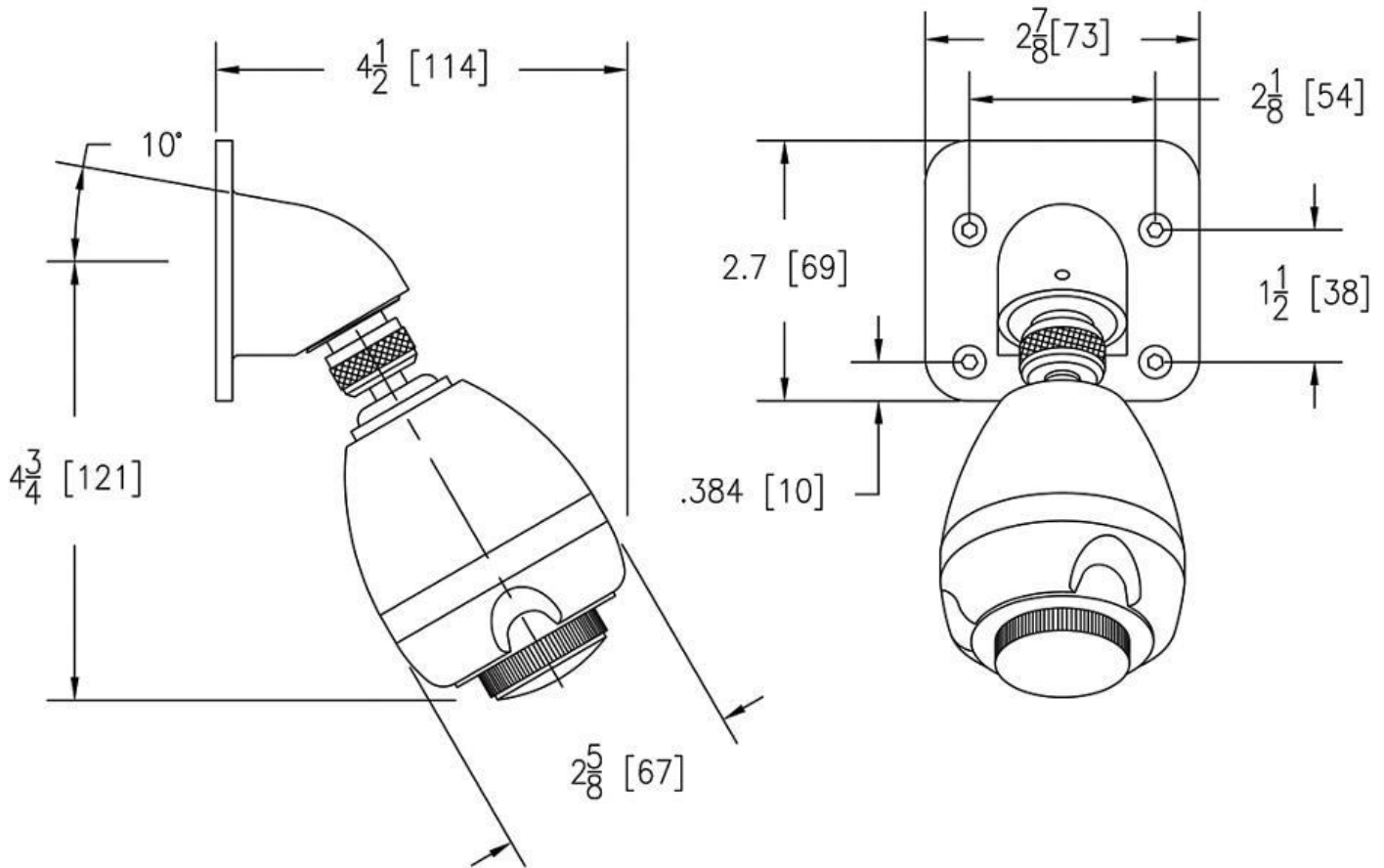


**Although products with certain combinations of options and features will meet or comply with these standards and/or certifications, not every combination of options and features will result in such compliance. If you have any questions about your particular product, please contact our Customer Care Dept. at 1-855-ONE-ZURN (United States) or 1-877-892-5216 (Canada) for confirmation.*

Architectural/Engineering Approval

Design and dimensional data (inches and [mm]) are subject to manufacturing tolerances and change without notice.

⚠ WARNING: Cancer and Reproductive Harm – www.P65warnings.ca.gov
⚠ ADVERTENCIA: Cáncer y daño reproductivo – www.P65warnings.ca.gov
⚠ AVERTISSEMENT: Cancer et effets néfastes sur la reproduction – www.P65warnings.ca.gov



NOTE: All dimensions are for reference only. Do not use for pre-plumbing.

Design and dimensional data (inches and [mm]) are subject to manufacturing tolerances and change without notice.

⚠ WARNING: Cancer and Reproductive Harm - www.P65warnings.ca.gov
 ⚠ ADVERTENCIA: Cáncer y daño reproductivo - www.P65warnings.ca.gov
 ⚠ AVERTISSEMENT: Cancer et effets néfastes sur la reproduction - www.P65warnings.ca.gov