

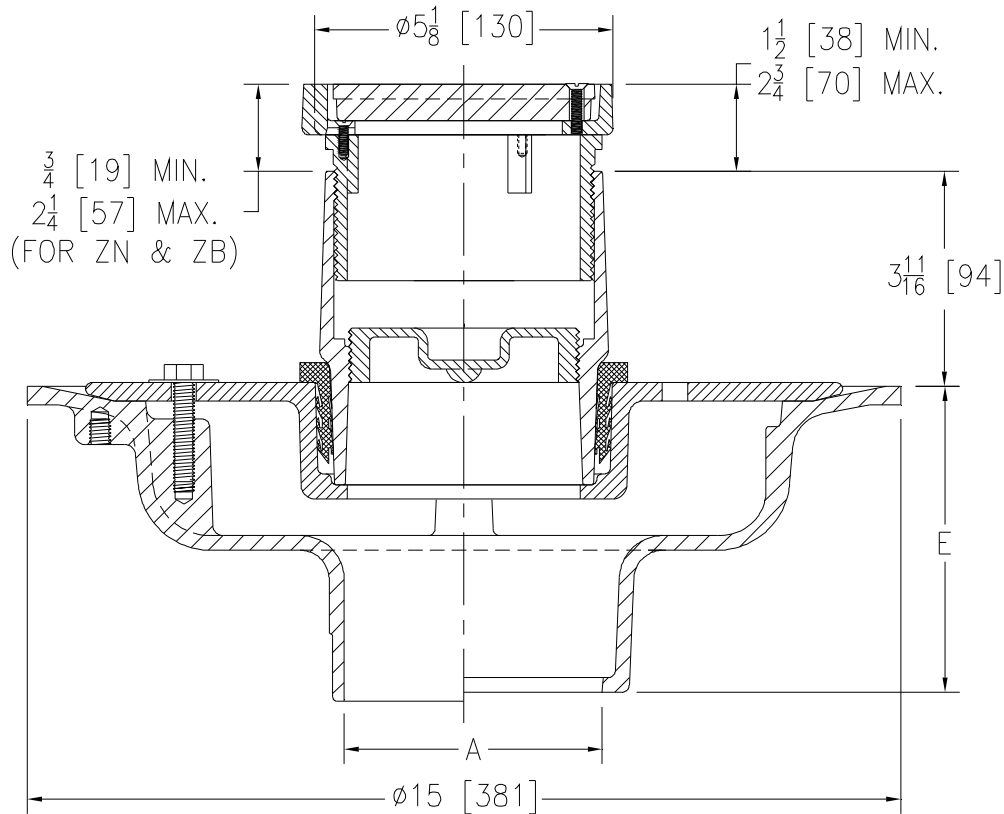


Z626 ADJUSTABLE ISOLATION DECK CLEANOUT

SPECIFICATION SHEET

TAG _____

Dimensional Data (inches and [mm]) are Subject to Manufacturing Tolerances and Change Without Notice



A Pipe Size	Approx. Wt. Lbs. [kg]
2, 3, 4 [51, 76, 102]	44 [20]
5, 6 [127, 152]	

ENGINEERING SPECIFICATION: ZURN Z626

Adjustable isolation deck cleanout, Dura-Coated cast iron upper and lower bodies, clamp collar with weep holes, neoprene flex gasket, ABS cleanout plug, isolation ferrule with 5 [127] diameter round Dura-Coated cast iron adjustable cleanout top.

OPTIONS (Check/specify appropriate options)

PIPE SIZE	(Specify size/type)	OUTLET	'E' BODY HT. DIM.
2 thru 6 [51 thru 152]	_____	IC Inside Caulk	5-1/4 [133]
2 thru 4, 6 [51 thru 102, 152]	_____	IG Inside Gasket	5-1/4 [133]
2 thru 6 [51 thru 152]	_____	IP Threaded	3-3/4 [95]
2 thru 6 [51 thru 152]	_____	NH No-Hub	5-1/4 [133]
2 thru 4 [51 thru 102]	_____	NL Neo-Loc	4-5/8 [117]

PREFIXES

- _____ Z D.C.C.I. Body and Top*
- _____ ZB D.C.C.I Body w/ Polished Bronze Top
- _____ ZN D.C.C.I Body w/ Polished Nickel Bronze Top

SUFFIXES

- _____ -C Underdeck Clamp (Lower Body)
- _____ -G Galvanized Cast Iron
- _____ -LH Less Weep Holes in Clamp Collar
- _____ -R Sump Receiver (Lower Body)
- _____ -VP Vandal-Proof Secured Top

REV. G	DATE: 11/8/10	C.N. NO. 120324
DWG. NO. 59244	PRODUCT NO. Z626	

*REGULARLY FURNISHED UNLESS OTHERWISE SPECIFIED