



Model(s) Z6211-BWN

Exposed Flush Valve with Bedpan Washer for Water Closets

TAG

Architectural/Engineering Specification:

The Metroflush is an exposed, quiet piston-type, chrome plated, flushometer valve with a polished exterior. Complete with Zurn's MetroVantage chloramine resistant piston with a clog resistant filtered by-pass. Valve is ADA compliant with a non-hold open and no leak handle feature, high back pressure vacuum breaker, bedpan washer assembly, wall bracket and support rod, one piece hex coupling nut, adjustable tailpiece, spud coupling and flange for top spud connection.

PRODUCT FEATURES:

- Clog-resistant triple filter diaphragm
- Chemical resistant gaskets and seals for extended service life with lower maintenance costs
- Manual ADA compliant handle with no-leak seal technology

FLOW OPTIONS:

	Flush Volume	Dual Flush	*WaterSense Labeled
<input type="checkbox"/> -ONE	1.1 gpf		X
<input type="checkbox"/> -HET	1.28 gpf	1.28/1.1 gpf	X
<input type="checkbox"/> -WS1	1.6 gpf		
<input type="checkbox"/> -Standard	3.5 gpf		

SUFFIX OPTIONS:

<input type="checkbox"/> -BG	BioCare ADA Handle
<input type="checkbox"/> -DF	Dual Flush
<input type="checkbox"/> -VC	Vandal Resistant Stop Cover
<input type="checkbox"/> -YB	Sweat Solder Kit
<input type="checkbox"/> -YC	Cast Wall Flange
<input type="checkbox"/> -YJ	Split Ring Pipe Support
<input type="checkbox"/> -YK	Solid Ring Pipe Support



Product Compliance: ADA

*Complies with ADA & ICC A117.1 accessibility requirements when installed according to the requirements outlined in these standards.

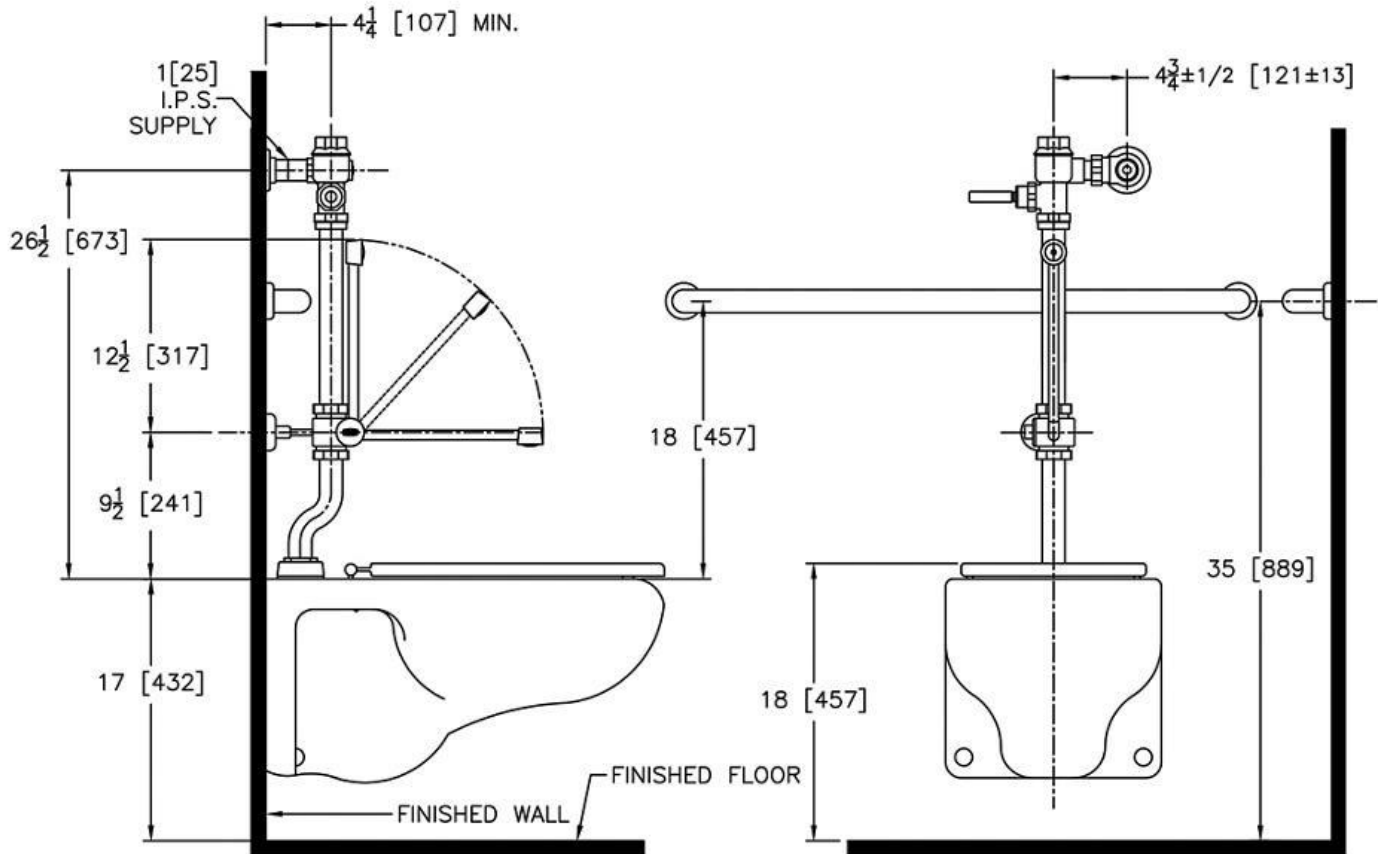
**Although products with certain combinations of options and features will meet or comply with these standards and/or certifications, not every combination of options and features will result in such compliance. If you have any questions about your particular product, please contact our Customer Care Dept. at 1-855-ONE-ZURN (United States) or 1-877-892-5216 (Canada) for confirmation.*

[Installation Guide - Z6200FV1116.pdf](#)

Architectural/Engineering Approval

Design and dimensional data (inches and [mm]) are subject to manufacturing tolerances and change without notice.

⚠ WARNING: Cancer and Reproductive Harm – www.P65warnings.ca.gov
⚠ ADVERTENCIA: Cáncer y daño reproductivo – www.P65warnings.ca.gov
⚠ AVERTISSEMENT: Cancer et effets néfastes sur la reproduction – www.P65warnings.ca.gov



NOTE: All dimensions are for reference only. Do not use for pre-plumbing.

Design and dimensional data (inches and [mm]) are subject to manufacturing tolerances and change without notice.

⚠ WARNING: Cancer and Reproductive Harm - www.P65warnings.ca.gov
 ⚠ ADVERTENCIA: Cáncer y daño reproductivo - www.P65warnings.ca.gov
 ⚠ AVERTISSEMENT: Cancer et effets néfastes sur la reproduction - www.P65warnings.ca.gov