



# Model(s) Z6195AV

AquaVantage AV® Manual Flush Valve for back spud urinal

TAG

### Architectural/Engineering Specification:

Concealed, quiet diaphragm-type rough brass flushometer valve with Zurn's AquaVantage® TPE, chloramine resistant, dual seal diaphragm with a clog resistant, triple filtered by-pass. The valve is complete with a non-hold open and no leak handle feature, high back pressure vacuum breaker, one piece hex coupling nut, adjustable tailpiece and spud coupling for back spud connection. Control stop has internal siphon-guard protection, and a sweat solder kit. Internal seals are made of chloramine resistant materials.

### PRODUCT FEATURES:

- Zurn's AquaVantage® TPE diaphragm Linear filtered by -pass Chloramine resistant Dual seal
- Actuator ADA compliant handle Non -hold open and no leak feature
- Control Stop Internal siphon -guard protection
- Vacuum Breaker High back pressure One piece hex coupling nut
- Internal seals Chloramine resistant
- Adjustable tailpiece
- Spud coupling and flange for back spud connection

### FLOW OPTIONS:

		Flush Volume	*WaterSense Labeled
<input type="checkbox"/>	-ULF**	0.125 gpf	x
<input type="checkbox"/>	-EWS**	0.5 gpf	x
<input type="checkbox"/>	-WS1	1.0 gpf	
<input type="checkbox"/>	-Standard	1.5 gpf	

\*\* Not available with triple filter by-pass

### SUFFIX OPTIONS:

<input type="checkbox"/>	-BG	BioCare ADA Handle
<input type="checkbox"/>	-L	1" [25mm] Metal Push Button
<input type="checkbox"/>	-L3	3" [76mm] Metal Push Button



### Product Compliance:

ADA  
 ASSE 1037/ASME A112.1037/CSA B125.37  
 ASSE 1037  
 CSA B125.37  
 WaterSense

\*Complies with ADA & ICC A117.1 accessibility requirements when installed according to the requirements outlined in these standards.



\*This product should be used with a WaterSense labeled counterpart with a compatible flow volume to ensure that the entire system meets the requirements for water efficiency and performance.

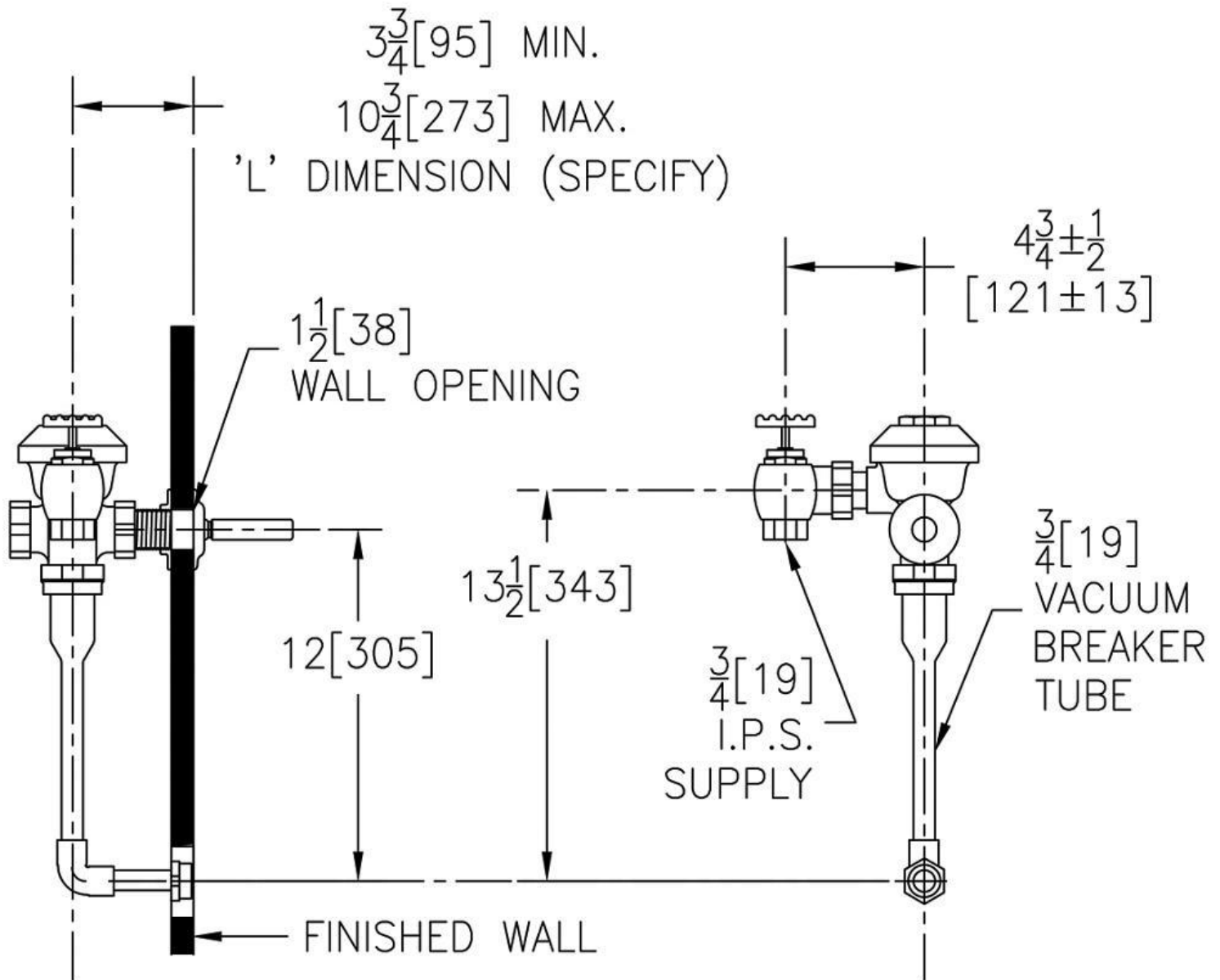
*\*Although products with certain combinations of options and features will meet or comply with these standards and/or certifications, not every combination of options and features will result in such compliance. If you have any questions about your particular product, please contact our Customer Care Dept. at 1-855-ONE-ZURN (United States) or 1-877-892-5216 (Canada) for confirmation.*

[Installation Guide - FV212](#)

Architectural/Engineering Approval

Design and dimensional data (inches and [mm]) are subject to manufacturing tolerances and change without notice.

⚠ WARNING: Cancer and Reproductive Harm – [www.P65warnings.ca.gov](http://www.P65warnings.ca.gov)  
 ⚠ ADVERTENCIA: Cáncer y daño reproductivo – [www.P65warnings.ca.gov](http://www.P65warnings.ca.gov)  
 ⚠ AVERTISSEMENT: Cancer et effets néfastes sur la reproduction – [www.P65warnings.ca.gov](http://www.P65warnings.ca.gov)



NOTE: All dimensions are for reference only. Do not use for pre-plumbing.

Design and dimensional data (inches and [mm]) are subject to manufacturing tolerances and change without notice.

⚠ WARNING: Cancer and Reproductive Harm - [www.P65warnings.ca.gov](http://www.P65warnings.ca.gov)  
 ⚠ ADVERTENCIA: Cáncer y daño reproductivo - [www.P65warnings.ca.gov](http://www.P65warnings.ca.gov)  
 ⚠ AVERTISSEMENT: Cancer et effets néfastes sur la reproduction - [www.P65warnings.ca.gov](http://www.P65warnings.ca.gov)