



Model(s) Z6140

Aquaflush® Manual Flush Valve

TAG

Architectural/Engineering Specification:

Concealed, quiet diaphragm-type rough brass flushometer valve with a chloramine resistant, dual seal diaphragm with a clog resistant by-pass. Complete with a non-hold open and no leak handle feature, high back pressure vacuum breaker, flush tube, elbow flush connections, wall escutcheon, and fixture spud securing nut for back spud connection. Control stop has internal siphon-guard protection. Internal seals are made of chloramine resistant materials.

FLOW OPTIONS:

		Flush Volume	*WaterSense Labeled
<input type="checkbox"/>	-ONE	1.1 gpf	x
<input type="checkbox"/>	-HET	1.28 gpf	x
<input type="checkbox"/>	-WS1	1.6 gpf	
<input type="checkbox"/>	-Standard	3.5 gpf	
<input type="checkbox"/>	-FF	4.5 gpf	

SUFFIX OPTIONS:

<input type="checkbox"/>	-BG	BioCare ADA Handle
<input type="checkbox"/>	-L	1" [25mm] Metal Push Button
<input type="checkbox"/>	-L3	3" [76mm] Metal Push Button
<input type="checkbox"/>	-YB	Sweat Solder Kit



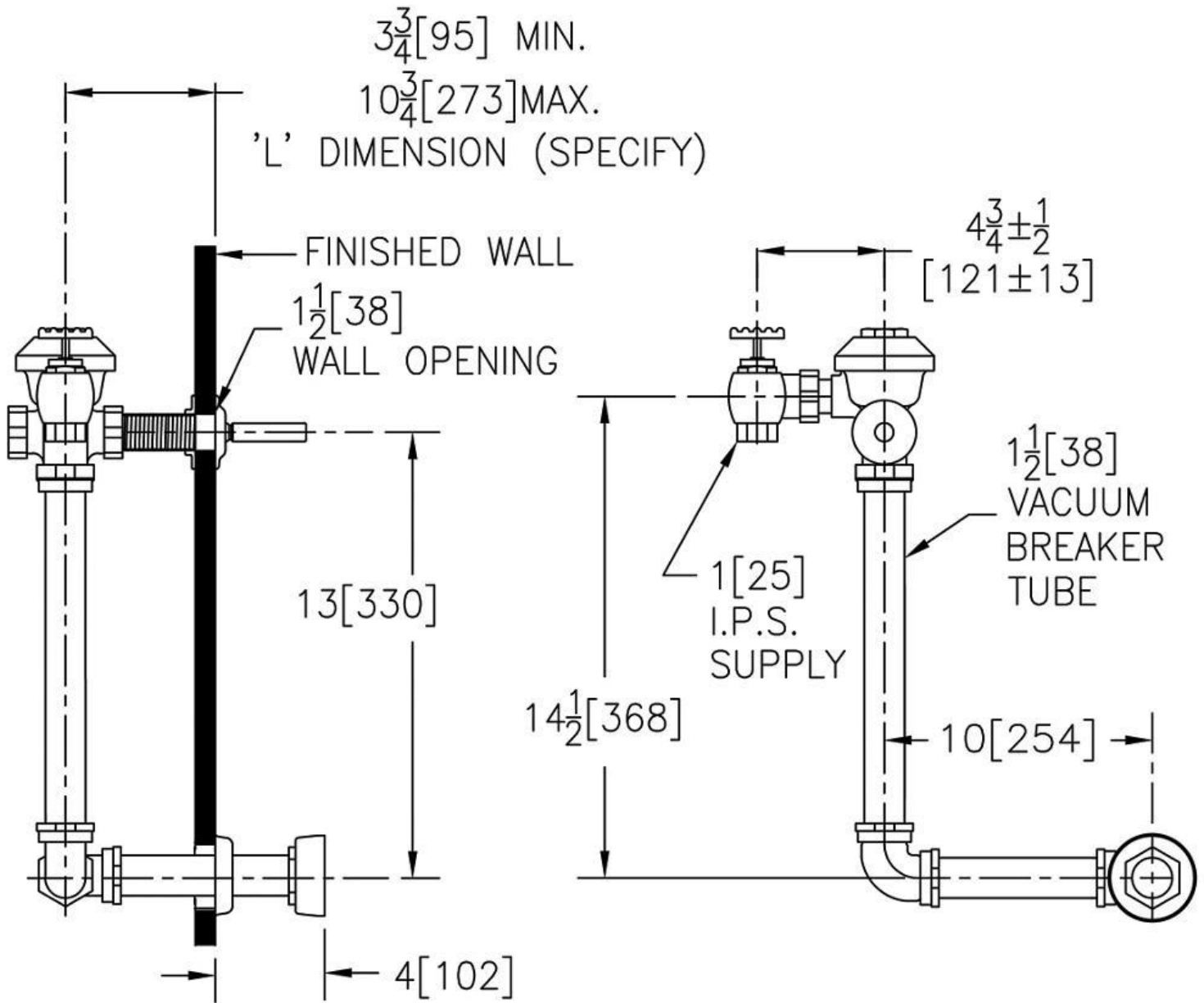
**Although products with certain combinations of options and features will meet or comply with these standards and/or certifications, not every combination of options and features will result in such compliance. If you have any questions about your particular product, please contact our Customer Care Dept. at 1-855-ONE-ZURN (United States) or 1-877-892-5216 (Canada) for confirmation.*

[Installation Guide - FV251.pdf](#)

Architectural/Engineering Approval

Design and dimensional data (inches and [mm]) are subject to manufacturing tolerances and change without notice.

⚠ WARNING: Cancer and Reproductive Harm – www.P65warnings.ca.gov
 ⚠ ADVERTENCIA: Cáncer y daño reproductivo – www.P65warnings.ca.gov
 ⚠ AVERTISSEMENT: Cancer et effets néfastes sur la reproduction – www.P65warnings.ca.gov



NOTE: All dimensions are for reference only. Do not use for pre-plumbing.

Design and dimensional data (inches and [mm]) are subject to manufacturing tolerances and change without notice.

⚠ WARNING: Cancer and Reproductive Harm - www.P65warnings.ca.gov
 ⚠ ADVERTENCIA: Cáncer y daño reproductivo - www.P65warnings.ca.gov
 ⚠ AVERTISSEMENT: Cancer et effets néfastes sur la reproduction - www.P65warnings.ca.gov