



**Architectural/Engineering Specification:**

Exposed, quiet diaphragm-type, chrome plated, flushometer valve with a polished exterior. Complete with Zurn's AquaVantage® TPE, chloramine resistant, dual seal diaphragm with a clog resistant, triple filtered by-pass. Valve is complete with proprietary DR resistant low lead brass alloy, a non-hold open and no leak handle feature, bedpan washer assembly, high back pressure vacuum breaker, one piece hex coupling nut, spud coupling and flange for top spud connection. Control stop has internal siphon-guard protection, vandal resistant stop cap, sweat solder kit, and a cast wall flange with set screw. ZURN Z843D6-LVB-5XT Clinical Sink Faucet features a polished chrome plated cast brass body, quarter-turn ceramic disc cartridges, inlets with integral stops on 8" centers, and 6" vandal resistant brass wrist blade color-coded handles.



**PRODUCT FEATURES:**

- Zurn's AquaVantage® TPE diaphragm Triple Filtered by-pass Chloramine resistant Dual seal
- Proprietary DR resistant low lead brass alloy
- Actuator Non-hold open and No Leak Handle
- Control Stop Internal siphon-guard protection Vandal resistant stop cap Sweat solder kit Cast wall flange with set screw
- Vacuum Breaker High back pressure One piece hex coupling nut
- Internal seals Chloramine resistant
- Bedpan Washer
- Spud coupling and flange for top spud connection
- Clinical Sink Faucet : ZURN Z843D6-LVB-5XT Polished chrome plated cast brass body Quarter-turn ceramic disc cartridges Inlets with integral stops on 8" centerline 6" centerline cast brass vacuum breaker spout 6" vandal resistant color-coded wrist blade handles

**Product Compliance:** ADA

\*Complies with ADA & ICC A117.1 accessibility requirements when installed according to the requirements outlined in these standards.

*\*Although products with certain combinations of options and features will meet or comply with these standards and/or certifications, not every combination of options and features will result in such compliance. If you have any questions about your particular product, please contact our Customer Care Dept. at 1-855-ONE-ZURN (United States) or 1-877-892-5216 (Canada) for confirmation.*

[Installation Guide - FV335.pdf](#)

[Warranty - general-terms-and-conditions.pdf \(PDF\)](#)

**FLOW OPTIONS:**

		Flush Volume
<input type="checkbox"/>	-FF	4.5 gpf
<input type="checkbox"/>	-Standard	6.5 gpf

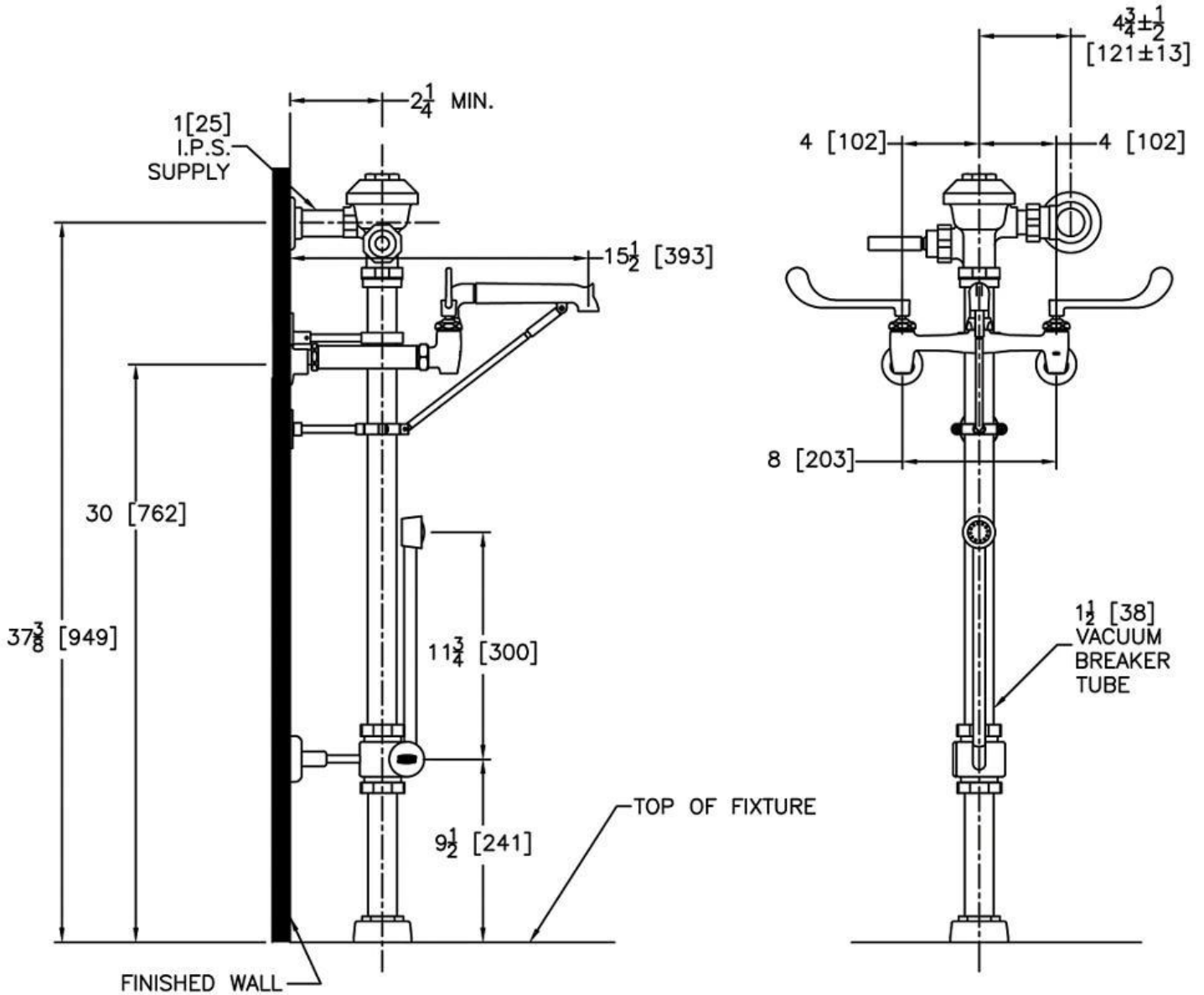
**SUFFIX OPTIONS:**

<input type="checkbox"/>	-BG	BioCare ADA Handle
<input type="checkbox"/>	-YJ	Split Ring Pipe Support
<input type="checkbox"/>	-YK	Solid Ring Pipe Support

Architectural/Engineering Approval

*Design and dimensional data (inches and [mm]) are subject to manufacturing tolerances and change without notice.*

⚠ WARNING: Cancer and Reproductive Harm – [www.P65warnings.ca.gov](http://www.P65warnings.ca.gov)  
 ⚠ ADVERTENCIA: Cáncer y daño reproductivo – [www.P65warnings.ca.gov](http://www.P65warnings.ca.gov)  
 ⚠ AVERTISSEMENT: Cancer et effets néfastes sur la reproduction – [www.P65warnings.ca.gov](http://www.P65warnings.ca.gov)



NOTE: All dimensions are for reference only. Do not use for pre-plumbing.

Design and dimensional data (inches and [mm]) are subject to manufacturing tolerances and change without notice.

⚠ WARNING: Cancer and Reproductive Harm - [www.P65warnings.ca.gov](http://www.P65warnings.ca.gov)  
 ⚠ ADVERTENCIA: Cáncer y daño reproductivo - [www.P65warnings.ca.gov](http://www.P65warnings.ca.gov)  
 ⚠ AVERTISSEMENT: Cancer et effets néfastes sur la reproduction - [www.P65warnings.ca.gov](http://www.P65warnings.ca.gov)