



Model(s) Z6001PL

Exposed Manual Diaphragm Flush Valves

TAG

Architectural/Engineering Specification:

Exposed, quiet diaphragm-type, chrome plated flushometer valve with a polished exterior. Complete with a chloramine resistant, dual seal diaphragm with a clog resistant by-pass. The valve is ADA compliant with a non-hold-open and no leak handle feature, high back pressure vacuum breaker, hex coupling nut and adjustable tailpiece, spud coupling and flange for top spud connection. Control stop has internal siphon-guard protection. Internal seals are made of chloramine resistant materials.

VALVE HEIGHT OPTIONS:

		Vacuum Tube Length	Rough-in Height "A"
<input type="checkbox"/>	Standard	8-1/2" [216"]	11-1/2" [292]
<input type="checkbox"/>	-1	13" [330]	16" [406]
<input type="checkbox"/>	-2	21" [533]	24" [610]
<input type="checkbox"/>	-3	24" [610]	27" [686]

FLOW OPTIONS:

		Flush Volume	*WaterSense Labeled
<input type="checkbox"/>	-ULF	0.125 gpf	x
<input type="checkbox"/>	-EWS	0.5 gpf	x
<input type="checkbox"/>	-WS1	1.0 gpf	
<input type="checkbox"/>	-WS	1.5 gpf	
<input type="checkbox"/>	-Standard	3.0 gpf	

SUFFIX OPTIONS:

<input type="checkbox"/>	-BG	BioCare ADA Handle
<input type="checkbox"/>	-H	Handle on Front of Flush Valve
<input type="checkbox"/>	-HL	1" [25mm] Metal Push Button on Front
<input type="checkbox"/>	-L	1" [25mm] Metal Push Button
<input type="checkbox"/>	-YJ	Split Ring Pipe Support
<input type="checkbox"/>	-YK	Solid Ring Pipe Support



Product Compliance:

ADA
ASSE 1037/ASME A112.1037/CSA B125.37
ASSE 1037
CSA B125.37

*Complies with ADA & ICC A117.1 accessibility requirements when installed according to the requirements outlined in these standards.

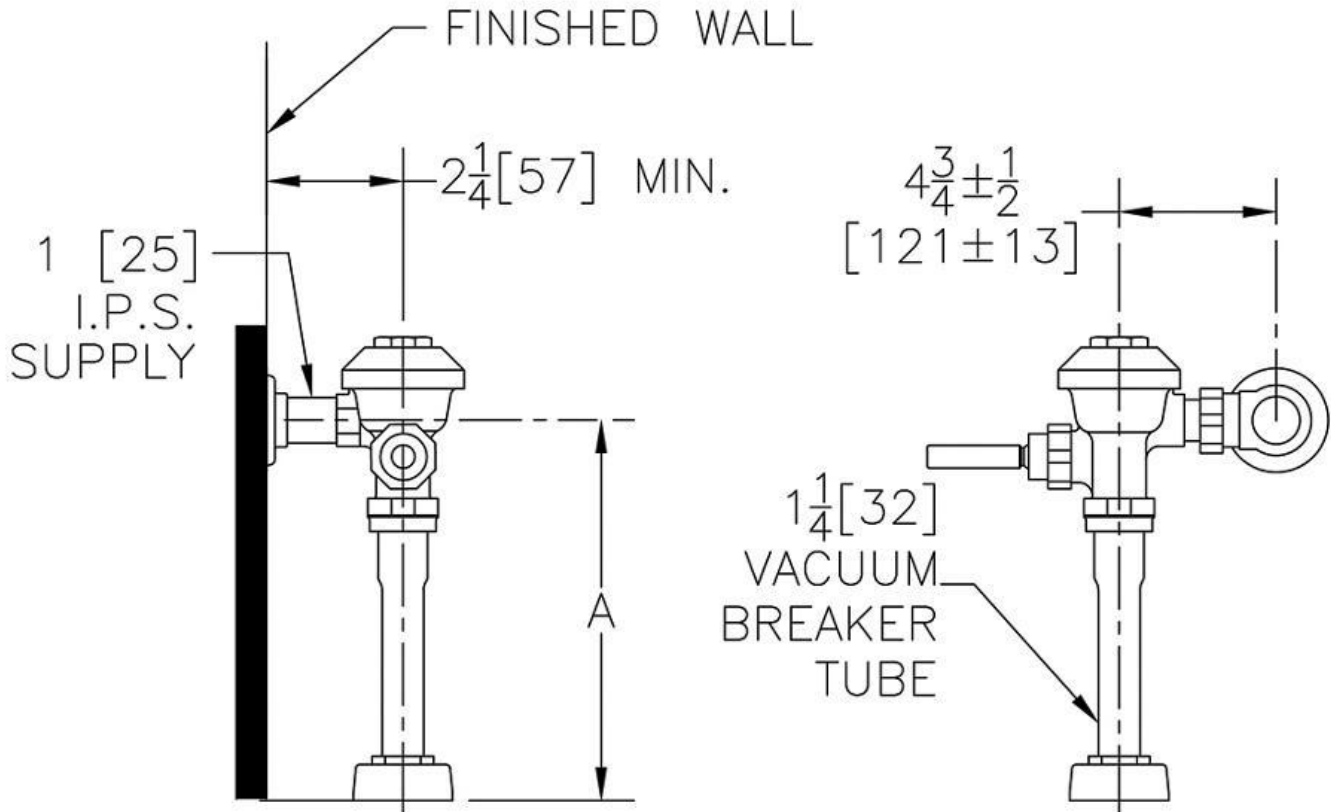
**Although products with certain combinations of options and features will meet or comply with these standards and/or certifications, not every combination of options and features will result in such compliance. If you have any questions about your particular product, please contact our Customer Care Dept. at 1-855-ONE-ZURN (United States) or 1-877-892-5216 (Canada) for confirmation.*

[Installation Guide - FV250.pdf](#)

Design and dimensional data (inches and [mm]) are subject to manufacturing tolerances and change without notice.

⚠ WARNING: Cancer and Reproductive Harm – www.P65warnings.ca.gov
⚠ ADVERTENCIA: Cáncer y daño reproductivo – www.P65warnings.ca.gov
⚠ AVERTISSEMENT: Cancer et effets néfastes sur la reproduction – www.P65warnings.ca.gov

Architectural/Engineering Approval



NOTE: All dimensions are for reference only. Do not use for pre-plumbing.

Design and dimensional data (inches and [mm]) are subject to manufacturing tolerances and change without notice.

⚠ WARNING: Cancer and Reproductive Harm - www.P65warnings.ca.gov
 ⚠ ADVERTENCIA: Cáncer y daño reproductivo - www.P65warnings.ca.gov
 ⚠ AVERTISSEMENT: Cancer et effets néfastes sur la reproduction - www.P65warnings.ca.gov