



Model(s) Z6001AV

Exposed AquaVantage Urinal Flush Valve

TAG

Architectural/Engineering Specification:

Exposed, quiet diaphragm-type, chrome plated, flushometer valve with a polished exterior. Complete with Zurn's AquaVantage® TPE, chloramine resistant, dual seal diaphragm with a clog resistant, triple filtered by-pass. The valve is ADA compliant with a non-hold open and no leak handle feature, high back pressure vacuum breaker, one piece hex coupling nut, adjustable tailpiece, spud coupling and flange for top spud connection. Control stop has internal siphon-guard protection, vandal resistant stop cap, sweat solder kit, and a cast wall flange with set screw. Internal seals are made of chloramine resistant materials.

VALVE HEIGHT OPTIONS:

	Vacuum Tube Length	Rough-in Height "A"
<input type="checkbox"/> Standard	8-1/2" [216"]	11-1/2" [292]
<input type="checkbox"/> -1	13" [330]	16" [406]
<input type="checkbox"/> -2	21" [533]	24" [610]
<input type="checkbox"/> -3	24" [610]	27" [686]

FLOW OPTIONS:

	Flush Volume	*WaterSense Labeled
<input type="checkbox"/> -ULF**	0.125 gpf	x
<input type="checkbox"/> -EWS**	0.5 gpf	x
<input type="checkbox"/> -WS1	1.0 gpf	
<input type="checkbox"/> -WS	1.5 gpf	
<input type="checkbox"/> -Standard	3.0 gpf	

** Not available with triple filter by-pass

SUFFIX OPTIONS:

<input type="checkbox"/> -BG	BioCare ADA Handle
<input type="checkbox"/> -H	Handle on Front of Flush Valve
<input type="checkbox"/> -HL	1" [25mm] Metal Push Button on Front
<input type="checkbox"/> -L	1" [25mm] Metal Push Button
<input type="checkbox"/> -YJ	Split Ring Pipe Support
<input type="checkbox"/> -YK	Solid Ring Pipe Support



Product Compliance:

ADA
ASSE 1037/ASME A112.1037/CSA B125.37
ASSE 1037
CSA B125.37

*Complies with ADA & ICC A117.1 accessibility requirements when installed according to the requirements outlined in these standards.

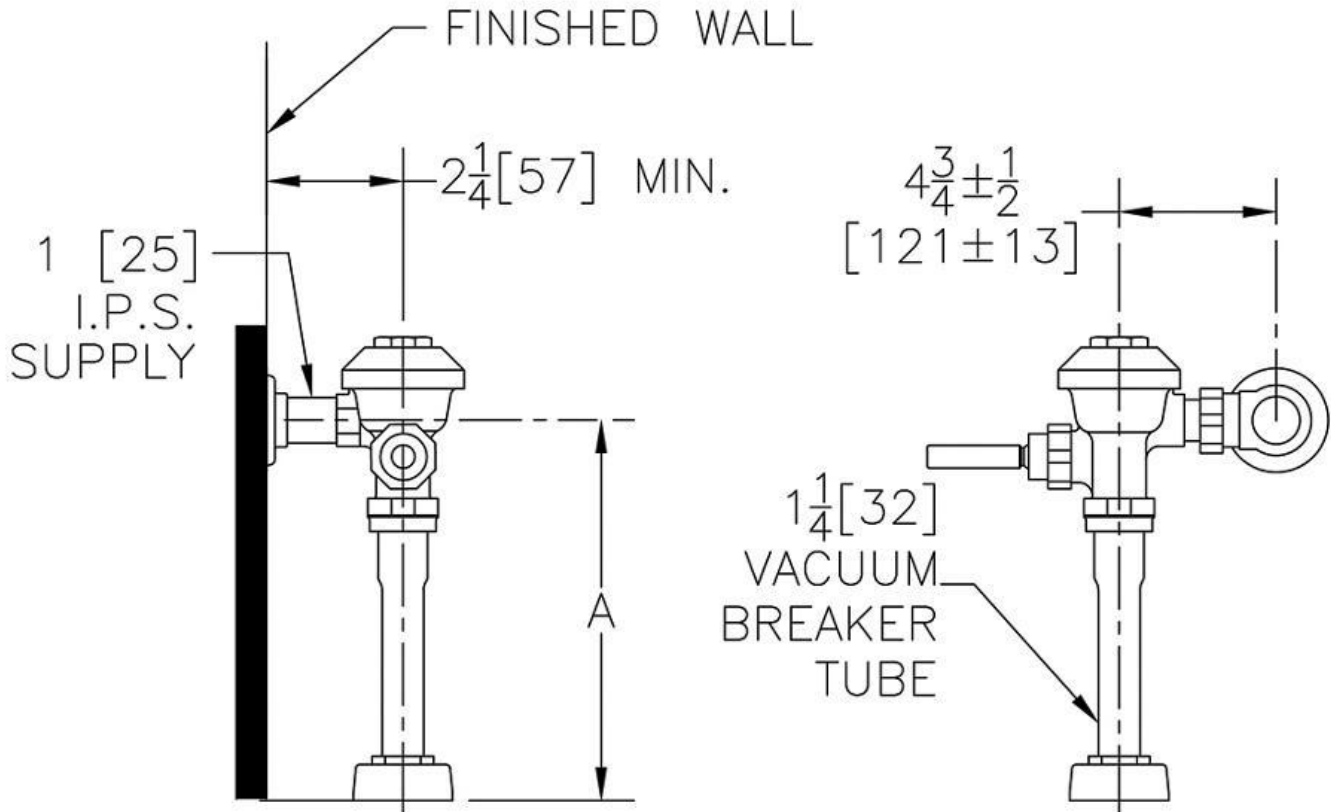
**Although products with certain combinations of options and features will meet or comply with these standards and/or certifications, not every combination of options and features will result in such compliance. If you have any questions about your particular product, please contact our Customer Care Dept. at 1-855-ONE-ZURN (United States) or 1-877-892-5216 (Canada) for confirmation.*

[Installation Guide - ZMKTG240-58.pdf](#)

Architectural/Engineering Approval

Design and dimensional data (inches and [mm]) are subject to manufacturing tolerances and change without notice.

⚠ WARNING: Cancer and Reproductive Harm – www.P65warnings.ca.gov
⚠ ADVERTENCIA: Cáncer y daño reproductivo – www.P65warnings.ca.gov
⚠ AVERTISSEMENT: Cancer et effets néfastes sur la reproduction – www.P65warnings.ca.gov



NOTE: All dimensions are for reference only. Do not use for pre-plumbing.

Design and dimensional data (inches and [mm]) are subject to manufacturing tolerances and change without notice.

⚠ WARNING: Cancer and Reproductive Harm - www.P65warnings.ca.gov
 ⚠ ADVERTENCIA: Cáncer y daño reproductivo - www.P65warnings.ca.gov
 ⚠ AVERTISSEMENT: Cancer et effets néfastes sur la reproduction - www.P65warnings.ca.gov