



# Model(s) Z6001

for 1-1/4 Urinals

TAG

### Architectural/Engineering Specification:

Exposed, quiet diaphragm-type, chrome plated flushometer valve with a polished exterior. Complete with a chloramine resistant, dual seal diaphragm with a clog resistant by-pass. The valve is ADA compliant with a non-hold-open and no leak handle feature, high back pressure vacuum breaker, hex coupling nut and adjustable tailpiece, spud coupling and flange for top spud connection. Control stop has internal siphon-guard protection. Internal seals are made of chloramine resistant materials.

### VALVE HEIGHT OPTIONS:

		Vacuum Tube Length	Rough-in Height "A"
<input type="checkbox"/>	Standard	8-1/2" [216"]	11-1/2" [292]
<input type="checkbox"/>	-1	13" [330]	16" [406]
<input type="checkbox"/>	-2	21" [533]	24" [610]
<input type="checkbox"/>	-3	24" [610]	27" [686]

### FLOW OPTIONS:

		Flush Volume	*WaterSense Labeled
<input type="checkbox"/>	-ULF	0.125 gpf	x
<input type="checkbox"/>	-EWS	0.5 gpf	x
<input type="checkbox"/>	-WS1	1.0 gpf	
<input type="checkbox"/>	-WS	1.5 gpf	
<input type="checkbox"/>	-Standard	3.0 gpf	

### SUFFIX OPTIONS:

<input type="checkbox"/>	-BG	BioCare ADA Handle
<input type="checkbox"/>	-H	Handle on Front of Flush Valve
<input type="checkbox"/>	-HL	1" [25mm] Metal Push Button on Front
<input type="checkbox"/>	-L	1" [25mm] Metal Push Button
<input type="checkbox"/>	-VC	Vandal Resistant Stop Cover
<input type="checkbox"/>	-YB	Sweat Solder Kit
<input type="checkbox"/>	-YC	Cast Wall Flange
<input type="checkbox"/>	-YJ	Split Ring Pipe Support
<input type="checkbox"/>	-YK	Solid Ring Pipe Support



### Product Compliance:

ADA  
ASSE 1037/ASME A112.1037/CSA B125.37  
ASSE 1037  
CSA B125.37, CSA 125.3

\*Complies with ADA & ICC A117.1 accessibility requirements when installed according to the requirements outlined in these standards.

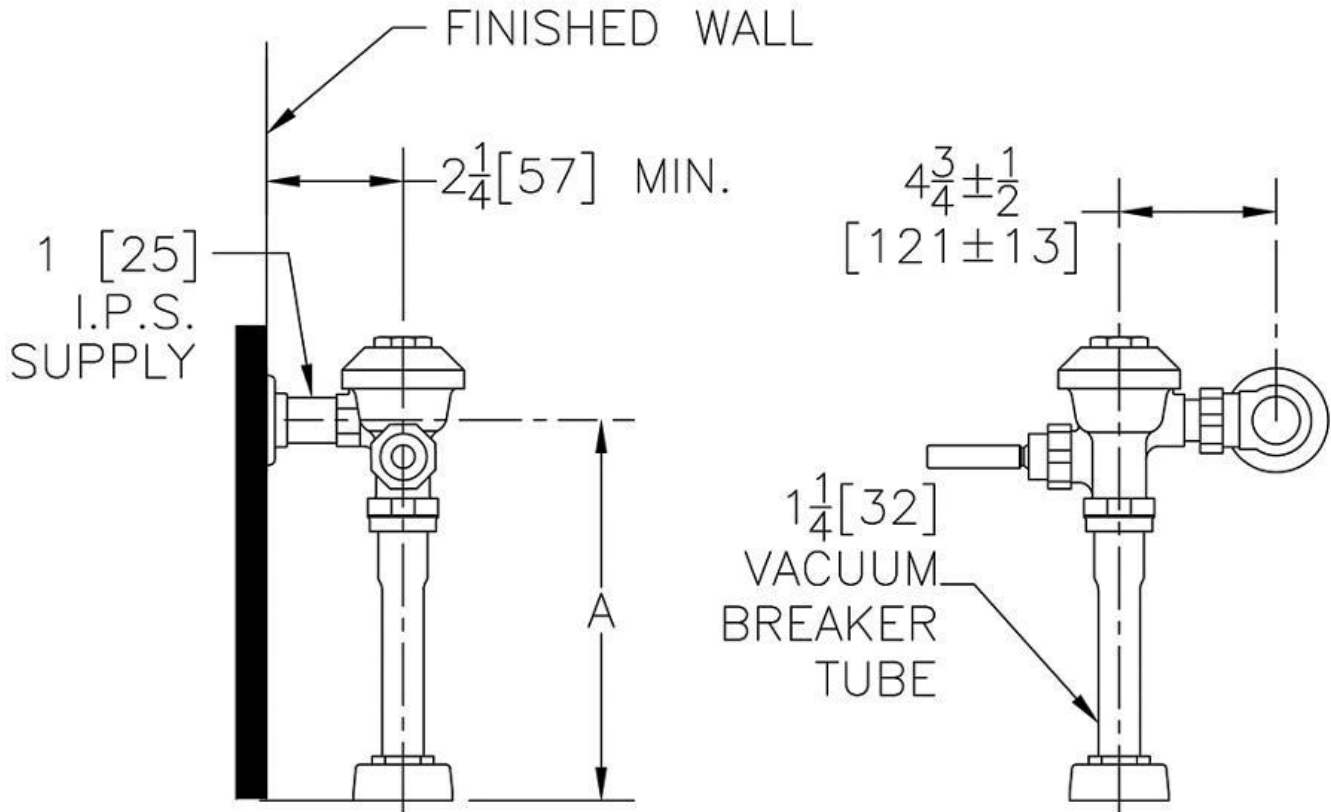
*\*Although products with certain combinations of options and features will meet or comply with these standards and/or certifications, not every combination of options and features will result in such compliance. If you have any questions about your particular product, please contact our Customer Care Dept. at 1-855-ONE-ZURN (United States) or 1-877-892-5216 (Canada) for confirmation.*

[Installation Guide - FV250.pdf](#)

Architectural/Engineering Approval

Design and dimensional data (inches and [mm]) are subject to manufacturing tolerances and change without notice.

⚠ WARNING: Cancer and Reproductive Harm – [www.P65warnings.ca.gov](http://www.P65warnings.ca.gov)  
⚠ ADVERTENCIA: Cáncer y daño reproductivo – [www.P65warnings.ca.gov](http://www.P65warnings.ca.gov)  
⚠ AVERTISSEMENT: Cancer et effets néfastes sur la reproduction – [www.P65warnings.ca.gov](http://www.P65warnings.ca.gov)



NOTE: All dimensions are for reference only. Do not use for pre-plumbing.

Design and dimensional data (inches and [mm]) are subject to manufacturing tolerances and change without notice.

⚠ WARNING: Cancer and Reproductive Harm - [www.P65warnings.ca.gov](http://www.P65warnings.ca.gov)  
 ⚠ ADVERTENCIA: Cáncer y daño reproductivo - [www.P65warnings.ca.gov](http://www.P65warnings.ca.gov)  
 ⚠ AVERTISSEMENT: Cancer et effets néfastes sur la reproduction - [www.P65warnings.ca.gov](http://www.P65warnings.ca.gov)