



**Architectural/Engineering Specification:**

Vitreous China, 1.1 gpf [4.2 Lpf] or greater high efficiency, floor mounted, bottom outlet toilet with siphon jet flushing action, ZurnSHIELDTM ceramic glaze, and elongated front rim with 1-1/2" back spud. This bowl is designed to perform to industry standards with as little as 1.1 gallons per flush.

**PRODUCT FEATURES:**

- Zurn High Efficiency Toilets and paired performance flush valve systems are designed to exceed industry standards, while using as little as 1.1 gallons of water per flush
- Universal high efficiency toilet can be specified with 1.1 gpf [4.2 Lgf], 1.28 gpf [4.8 Lpf], 1.6 gpf [6.0 Lpf] or dual flush valves.
- Vitreous china
- ZurnSHIELDTM ceramic glaze creates a permanent surface that protects the fixture by inhibiting the growth of stain and odor causing mold, mildew, and bacteria, thus reducing the amount of time, chemicals and water needed to clean the bowl.
- Elongated front rim
- 1-1/2" Back Spud
- 2-1/8" fully glazed trapway
- High efficiency siphon jet flush



**Product Compliance:** ADA

\*Complies with ADA & ICC A117.1 accessibility requirements when installed according to the requirements outlined in these standards.

*\*Although products with certain combinations of options and features will meet or comply with these standards and/or certifications, not every combination of options and features will result in such compliance. If you have any questions about your particular product, please contact our Customer Care Dept. at 1-855-ONE-ZURN (United States) or 1-877-892-5216 (Canada) for confirmation.*

[Installation Guide - fv867.pdf](#)

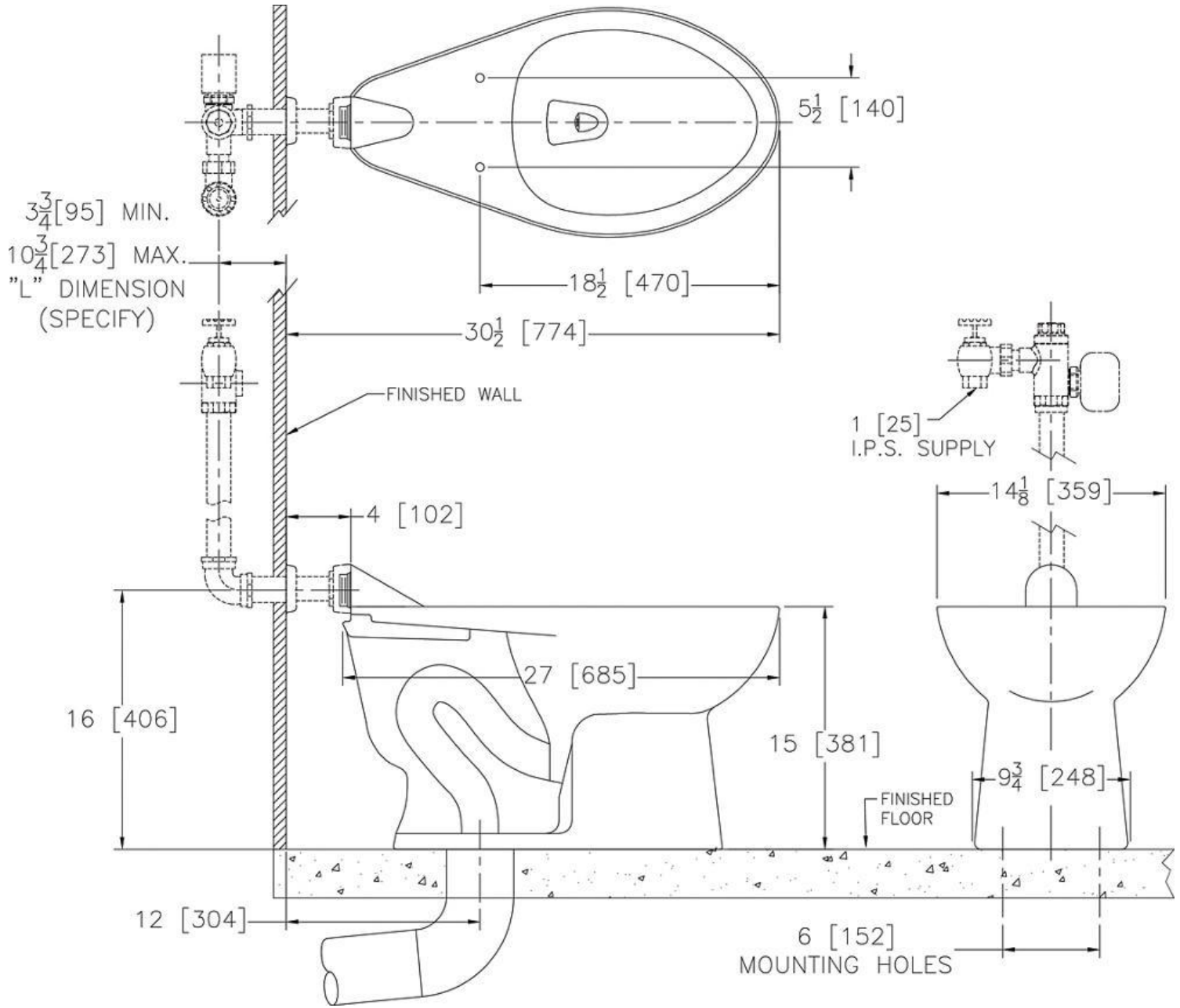
**Recommended Trim:**

<input type="checkbox"/>	Z5955SS-EL	Elongated, standard white, open front toilet seat less cover with stainless steel check hinge
--------------------------	------------	---

Architectural/Engineering Approval

*Design and dimensional data (inches and [mm]) are subject to manufacturing tolerances and change without notice.*

⚠ WARNING: Cancer and Reproductive Harm – [www.P65warnings.ca.gov](http://www.P65warnings.ca.gov)  
 ⚠ ADVERTENCIA: Cáncer y daño reproductivo – [www.P65warnings.ca.gov](http://www.P65warnings.ca.gov)  
 ⚠ AVERTISSEMENT: Cancer et effets néfastes sur la reproduction – [www.P65warnings.ca.gov](http://www.P65warnings.ca.gov)



NOTE: All dimensions are for reference only. Do not use for pre-plumbing.

Design and dimensional data (inches and [mm]) are subject to manufacturing tolerances and change without notice.

⚠ WARNING: Cancer and Reproductive Harm - [www.P65warnings.ca.gov](http://www.P65warnings.ca.gov)  
 ⚠ ADVERTENCIA: Cáncer y daño reproductivo - [www.P65warnings.ca.gov](http://www.P65warnings.ca.gov)  
 ⚠ AVERTISSEMENT: Cancer et effets néfastes sur la reproduction - [www.P65warnings.ca.gov](http://www.P65warnings.ca.gov)