



**Architectural/Engineering Specification:**

19" round vitreous china, self-rimming, countertop lavatory

\*Note: -RS and -LS options only available with Z5121

**PRODUCT FEATURES:**

- 19" [482 mm] round
- Vitreous china
- Faucet holes for single, 4" or 8" centers
- Self-rimming front overflow design
- Waste: 1-1/4" O.D.
- Depth: 6-1/2"
- Inside Bowl Dimensions: 14-3/4" x 12"
- Shipping Weight: 22 lbs.

**CONFIGURATIONS:**

<input type="checkbox"/>	Z5121	Sink with single faucet hole
<input type="checkbox"/>	Z5124	Sink with 4" [102mm] center faucet holes
<input type="checkbox"/>	Z5128	Sink with 8" [203mm] center faucet holes

**Suffix Options:**

<input type="checkbox"/>	-LS	Left Side Soap Hole
<input type="checkbox"/>	-RS	Right Side Soap Hole

**RECOMMENDED TRIM:**

<input type="checkbox"/>	Z8743-PC	Grid Strainer
<input type="checkbox"/>	Z8700 Series	P-Trap
<input type="checkbox"/>	Z8800 Series	Top with Flexible Supplies
<input type="checkbox"/>	Z8946-1-NT	ADA Trap, Stop, and Supply Protectors

**OPTIONAL TRIM:**

<input type="checkbox"/>	Z8746-PC	ADA Grid Strainer
<input type="checkbox"/>	Z8946-3-NT	ADA Trap, Stop, and Supply Protectors for Offset Grid Strainer



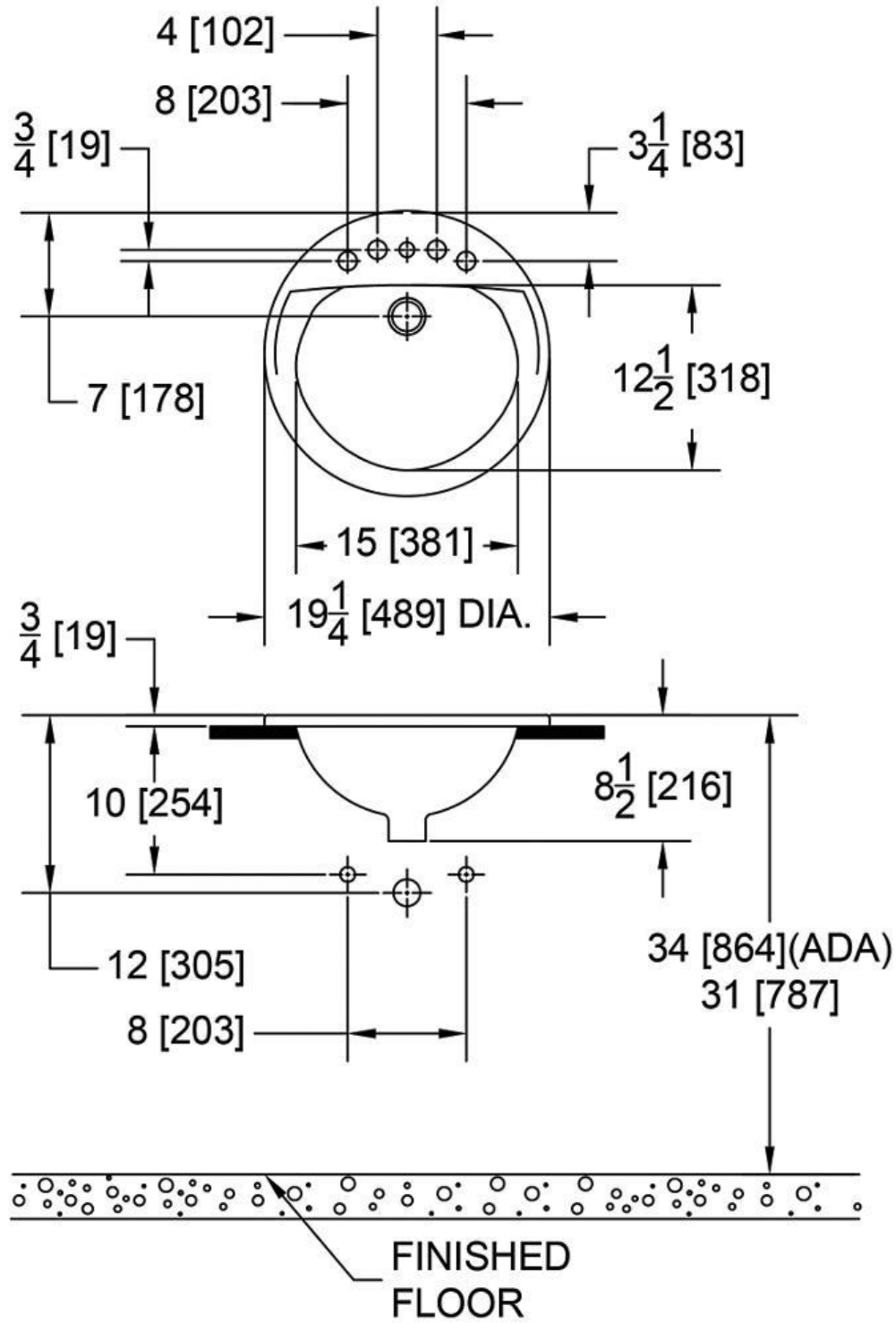
**Product Compliance:** ASME A112.19.2/CSA B45.1  
CSA B45.1

*\*Although products with certain combinations of options and features will meet or comply with these standards and/or certifications, not every combination of options and features will result in such compliance. If you have any questions about your particular product, please contact our Customer Care Dept. at 1-855-ONE-ZURN (United States) or 1-877-892-5216 (Canada) for confirmation.*

Architectural/Engineering Approval

*Design and dimensional data (inches and [mm]) are subject to manufacturing tolerances and change without notice.*

⚠ WARNING: Cancer and Reproductive Harm – [www.P65warnings.ca.gov](http://www.P65warnings.ca.gov)  
 ⚠ ADVERTENCIA: Cáncer y daño reproductivo – [www.P65warnings.ca.gov](http://www.P65warnings.ca.gov)  
 ⚠ AVERTISSEMENT: Cancer et effets néfastes sur la reproduction – [www.P65warnings.ca.gov](http://www.P65warnings.ca.gov)



NOTE: All dimensions are for reference only. Do not use for pre-plumbing.