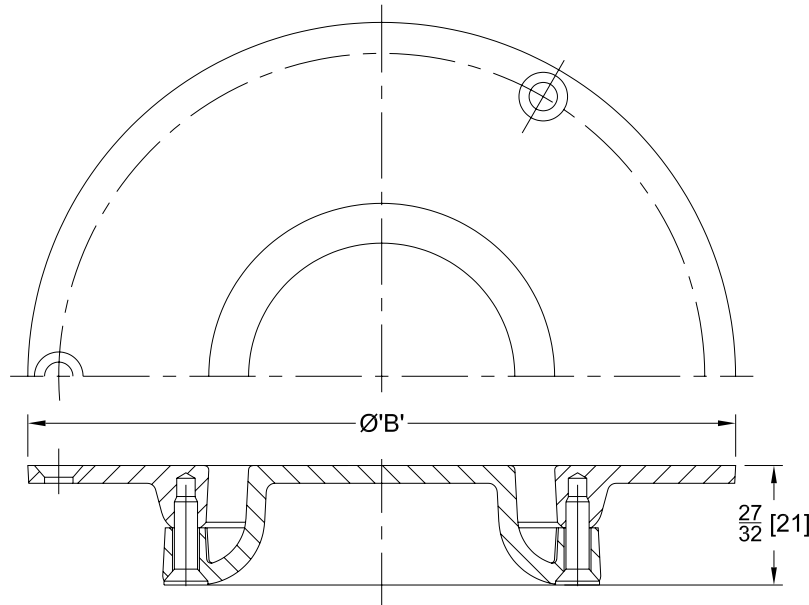


Design and Dimensional Data (inches and [ mm ]) are Subject to Manufacturing Tolerances and Change Without Notice



Grate Designation (select type)	Size 'B' Inches [mm]	Open Area Sq. in [cm <sup>2</sup> ]	Approx. Wt. lbs [kg]
___ -5RF	5 [127]	1.9 [12.3]	2.8 [1.3]
___ -6RF	6 [152]	1.9 [12.3]	4.1 [1.7]

**ENGINEERING SPECIFICATION: ZURN Z400LR-RF**

Round light-duty, heel-proof, ADA, retrofit ligature resistant\*\* grate with vandal proof screws provided. Allows easy retrofit of existing floor drains, for Zurn and select manufacturers.

**PREFIXES** (Check/specify appropriate options)

- \_\_\_ ZN Polished Nickel Bronze Top
- \_\_\_ ZS Stainless Steel Top\*

**SUFFIXES**

- \_\_\_-JRS Jay R. Smith Mfg. Co.®<sup>(1)</sup> Retrofit Floor Drain Grate  
 Compatible w/ 2005 Series "Suffix -A Grates" (Only Available in 5 [127] and 6 [152] Stainless Steel)
- \_\_\_-MFB MIFAB®<sup>(2)</sup> Retrofit Floor Drain Grate  
 Compatible w/ F1100 Series (Only Available in 5 [127] Stainless Steel)
- \_\_\_-WTS Watts®<sup>(3)</sup> Retrofit Floor Drain Grate  
 Compatible w/ FD-100-A, FD-1100-A (Only Available in 5 [127] Stainless Steel)

1. Jay R. Smith Mfg. Co.® is a registered trademark of Smith Industries, Inc. Jay R. Smith Mfg. Co.® products listed are not associated with Zurn or Zurn's products.  
 2. MIFAB® is a registered trademark of MI-FAB MANUFACTURING, LLC. MIFAB® products listed are not associated with Zurn or Zurn's products.  
 3. Watts® is a registered trademark of Watts Regulator Co. Watts® products listed are not associated with Zurn or Zurn's products.

\* Regularly furnished unless otherwise specified.

\*\*DISCLAIMER: By "ligature resistant," Zurn refers to the fact that this product is designed and manufactured to reduce the risk that it may be utilized as an apparatus for ligature. Zurn does not represent or warrant that this product is incapable of being used for ligature or ligature-free, and Zurn will not be liable for any claims, loss, or damages arising from ligature attachment on our products. This product is not a replacement for professionals who are trained in the proper evaluation, management, and supervision of persons at risk of self-harm or suicide. It is the purchaser's responsibility to ensure that products purchased and installed are suitable for the environments in which they are installed, and that suitable supervision and protective measures are in place to protect those at risk.

- ⚠ **WARNING:** Cancer and Reproductive Harm - [www.P65Warnings.ca.gov](http://www.P65Warnings.ca.gov)
- ⚠ **ADVERTENCIA:** Cáncer y daño reproductivo - [www.P65Warnings.ca.gov](http://www.P65Warnings.ca.gov)
- ⚠ **AVERTISSEMENT:** Cancer et effets néfastes sur la reproduction - [www.P65Warnings.ca.gov](http://www.P65Warnings.ca.gov)