



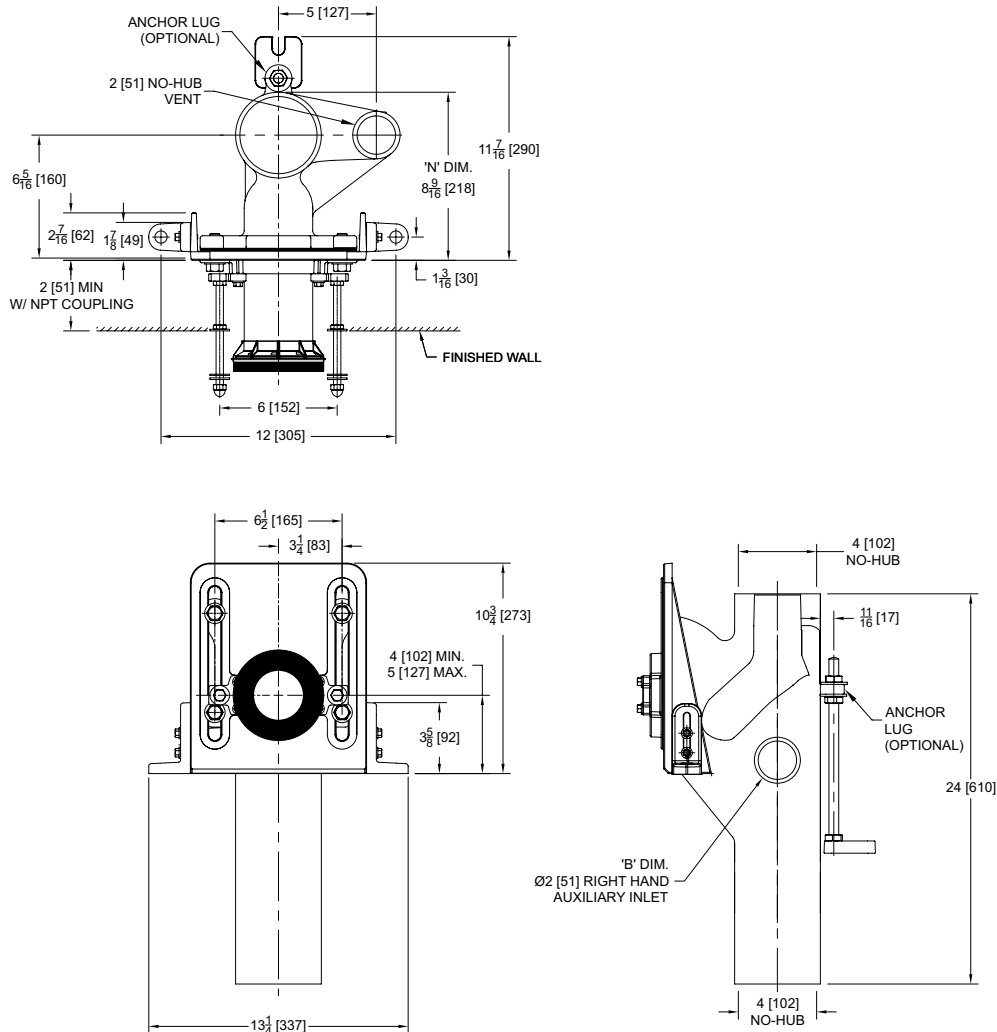
# Z1202-N4-JR-FMBO

EZCARRY® ADJUSTABLE VERTICAL HIGH PERFORMANCE SIPHON JET  
NO-HUB WATER CLOSET CARRIER SYSTEM W/ 2 [51] RIGHT AUXILIARY INLET  
AND FLOOR MOUNT BACK OUTLET FIXTURE SUPPORT

SPECIFICATION SHEET

TAG \_\_\_\_\_

Design and Dimensional Data (inches and [ mm ]) are Subject to Manufacturing Tolerances and Change Without Notice



## ENGINEERING SPECIFICATION: ZURN Z1202-N4-JR-FMBO

EZCarry® vertical siphon jet water closet carrier system with high performance waterway and 4" [102mm] no-hub connections. Floor mount back outlet connection optimized for installation. System includes Dura-Coated cast iron main fitting with hydro-mechanically optimized sweep and extended 2" [51 mm] vent, 2 [51] right auxiliary inlet, adjustable gasketed faceplate, floor mounted, back outlet fixture support, trim, bonded "Neo-Seal" gasket, and EZ-Set™ Coupling designed to increase flow velocity and line carry.

## OPTIONS (Check/specify appropriate options)

\_\_\_ Z1202-NF-JR-FMBO      4 [102] No-Hub Stack, Single Inlet, 2 [51] Right auxiliary inlet, 2 [51] Right Hand Vent

## PREFIXES

\_\_\_ Z    D.C.C.I. System with Zurn EZ-Set™ Coupling

## SUFFIXES

\_\_\_ -G    Galvanized Cast Iron  
\_\_\_ -VP    Vandal-Proof Trim