



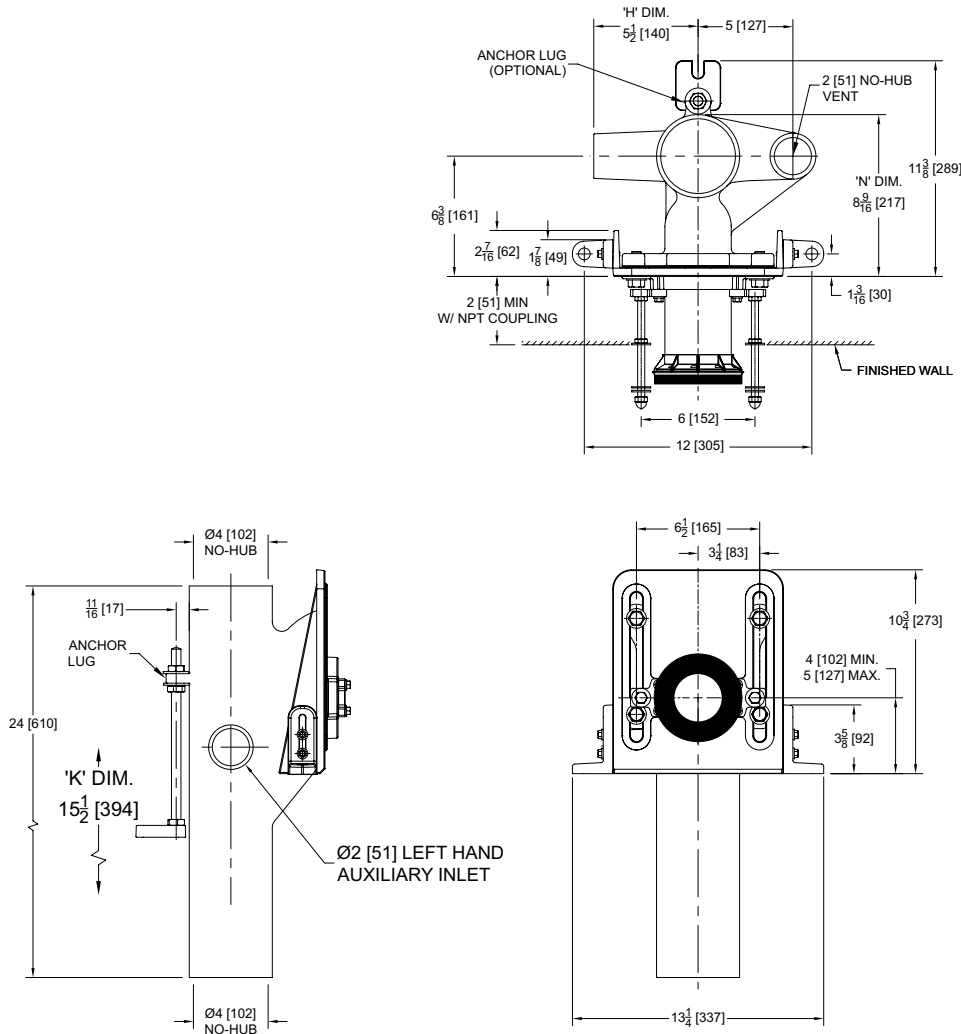
Z1202-N4-JL-FMBO

EZCARRY® ADJUSTABLE VERTICAL HIGH PERFORMANCE SIPHON JET
NO-HUB WATER CLOSET CARRIER SYSTEM W/ 2 [51] AUXILIARY INLET
AND FLOOR MOUNT BACK OUTLET FIXTURE SUPPORT

SPECIFICATION SHEET

TAG _____

Design and Dimensional Data (inches and [mm]) are Subject to Manufacturing Tolerances and Change Without Notice



ENGINEERING SPECIFICATION: ZURN Z1202-N4-JL-FMBO

EZCarry® vertical siphon jet water closet carrier system with high performance waterway and 4" [102mm] no-hub connections. Floor mount back outlet connection optimized for installation. System includes Dura-Coated cast iron main fitting with hydro-mechanically optimized sweep and extended 2" [51 mm] vent, 2 [51] left auxiliary inlet, adjustable gasketed faceplate, floor mounted, back outlet fixture support, trim, bonded "Neo-Seal" gasket, and EZ-Set™ Coupling designed to increase flow velocity and line carry.

OPTIONS (Check/specify appropriate options)

___ Z1202-NF-JL-FMBO 4 [102] No-Hub Stack, Single Inlet, 2 [51] Left Auxiliary Inlet, 2 [51] Right Hand Vent

PREFIXES

___ Z D.C.C.I. System with Zurn EZ-Set™ Coupling

SUFFIXES

___ -G Galvanized Cast Iron
___ -VP Vandal-Proof Trim