



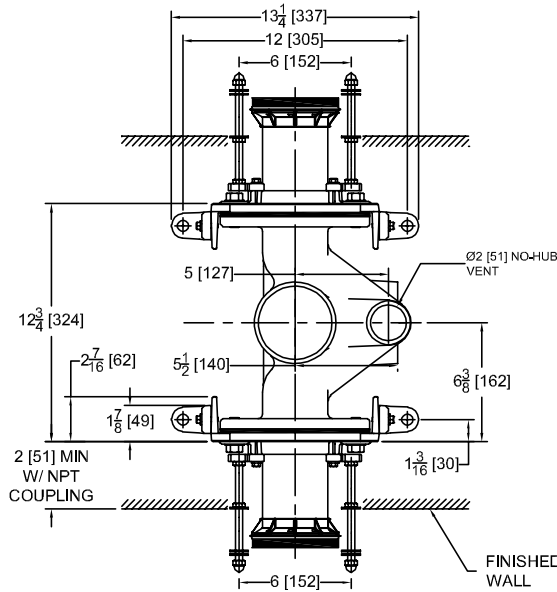
Z1202-1ND4-FMBO

EZCARRY® ADJUSTABLE VERTICAL BACK-TO-BACK HIGH PERFORMANCE SIPHON JET NO-HUB WATER CLOSET CARRIER SYSTEM WITH FLOOR MOUNT BACK OUTLET FIXTURE SUPPORT & SIDE INLET

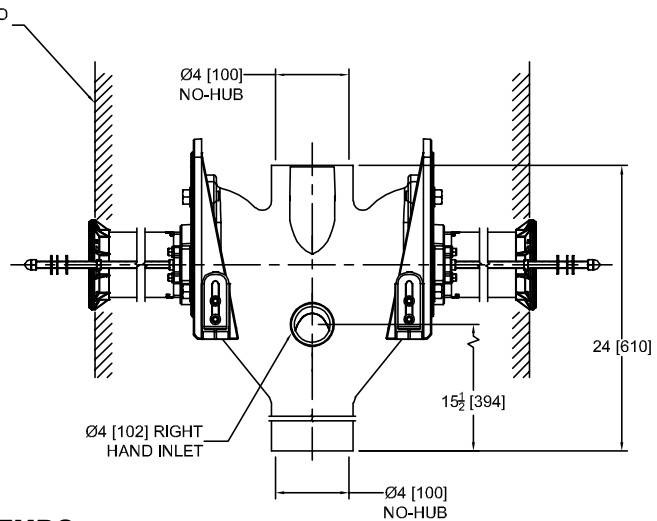
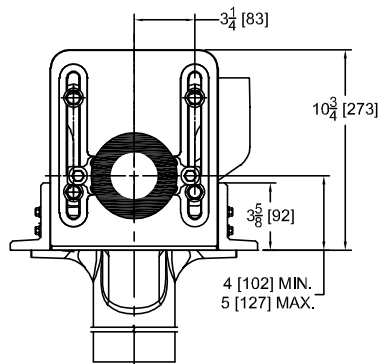
SPECIFICATION SHEET

TAG _____

Design and Dimensional Data (inches and [mm]) are Subject to Manufacturing Tolerances and Change Without Notice



Product Number	Approx. Weight lbs [kg]
Z1202-1ND4-FMBO	123 [56]



ENGINEERING SPECIFICATION: ZURN Z1202-1ND4-FMBO

EZCarry® vertical siphon jet water closet carrier system with high performance waterway and 4" [102mm] no-hub connections. Floor mount back outlet connection optimized for installation. System includes Dura-Coated cast iron main fitting with hydro-mechanically optimized sweep and extended 2" [51 mm] vent, adjustable gasketed faceplates, floor mounted, back outlet fixture supports, trim, bonded "Neo-Seal" gaskets, and EZ-Set™ Couplings designed to increase flow velocity and line carry.

OPTIONS (Check/specify appropriate options)

____ Z1201-1ND4-FMBO 4 [102] No-Hub Stack, Double Inlets, 4 [102] Side Inlet, 2 [51] Vent

PREFIXES

____ Z D.C.C.I. System with Zurn EZ-Set™ Coupling

SUFFIXES

____ -G Galvanized Cast Iron
____ -VP Vandal-Proof Trim