



ARCHITECTURAL & ENGINEERING SPECIFICATION

Polished chrome-plated cast brass bedpan washer with a quarter turn ceramic disc cartridge, a loose key stop with a removable brass tee handle and a vandal resistant color-coded metal four arm handle. Unit is furnished with a vacuum breaker, a hand-held 4' [122cm] vinyl spray hose with an angled insulated 6" [152mm] handle and hook. (Note: Atmospheric vacuum breaker not intended for continuous pressure applications.)

PRODUCT FEATURES

- Polished chrome-plated cast brass bedpan washer
- Four arm vandal resistant color-coded lever handle
- Loose key stop with brass tee handle
- Heavy-duty quarter-turn ceramic disc cartridge
- Spray hose hook
- 2-1/2" vacuum breaker spout with an integral 3/4" hose-threaded outlet
- 4' vinyl spray hose and insulated 6" handle with angled spray outlet



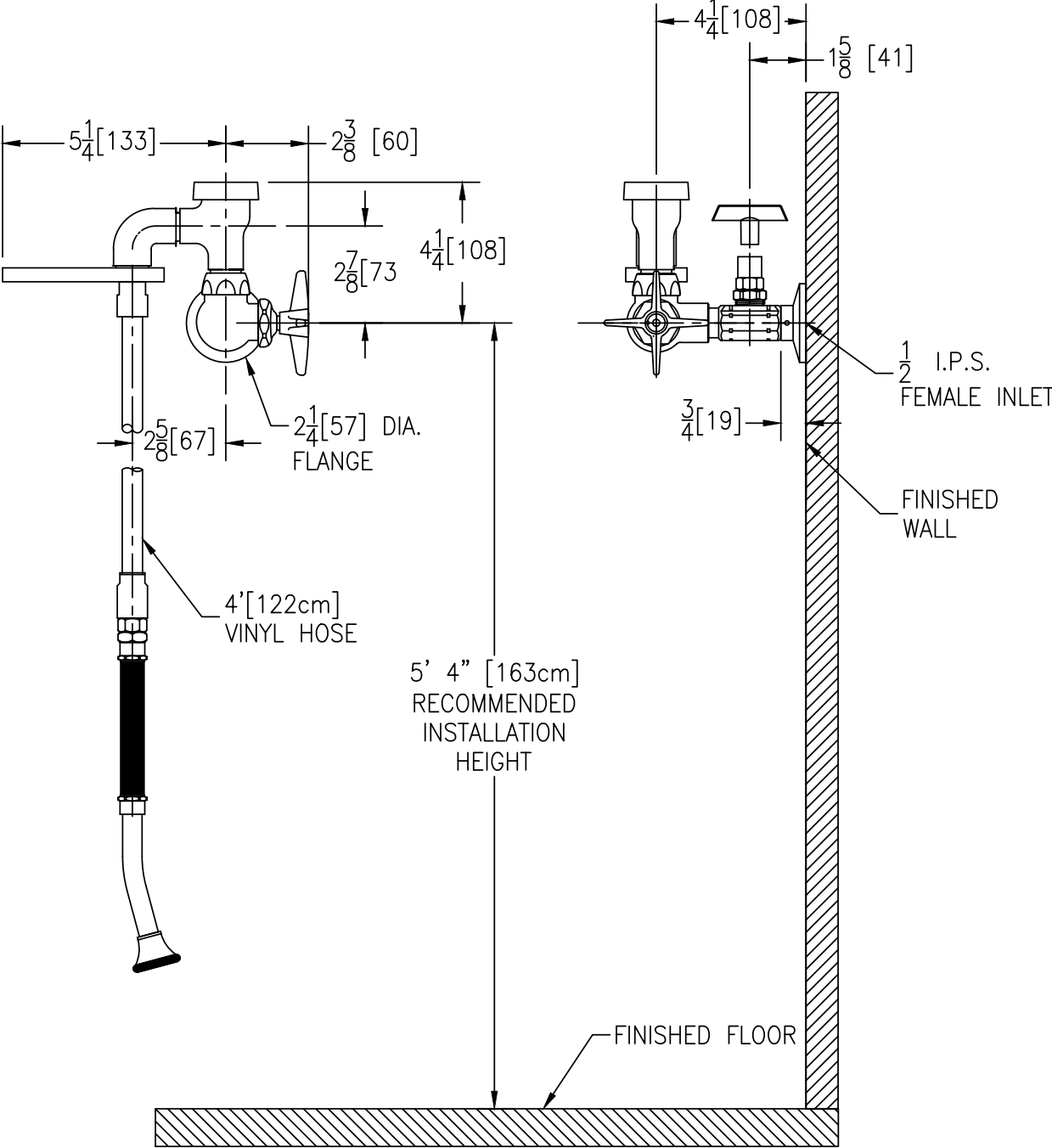
SUFFIX OPTIONS

- SH Spray Hose
- OTHER

ARCHITECTURAL & ENGINEERING APPROVAL

The information contained in this document is subject to change without notice. Please contact Zurn for most up to date information.

Rough-in/Overview dimensions



NOTE: All dimensions are for reference only. Do not use for pre-plumbing.