



HEAVY DUTY STOP WITH FLEXIBLE LAVATORY SUPPLY

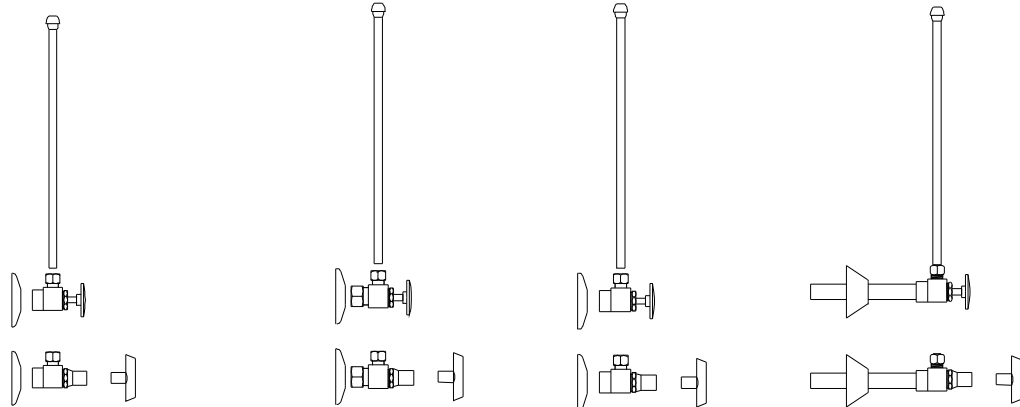
ZH8820-XL-LR-PC TO ZH8827-XL-LRLK-PC

TAG _____



Engineering Specification: Zurn ZH8820-XL-LR-PC to ZH8827-XL-LRLK-PC -Two Zurn chrome plated, solid brass heavy duty angle stops with round wheel handles or loose key as specified, two 12[305] flexible chrome plated copper lavatory risers complete with two chrome plated steel flanges. ZH8827LR includes 5[127] chrome plated copper extension tubes and deep bell steel flanges.

Zurn Lead Compliant* "XL" products are a line of durable, high quality brass faucets and fixtures that are designed and manufactured to comply with state laws and local codes that mandate lead content levels. Zurn "XL" products are manufactured with *not more than 0.25% lead content when used with respect to wetted surfaces of pipes and pipe fittings, plumbing fitting and fixtures: California Health & Safety Code § 116875; Vermont 9 VCA § 2470h.



ZH8820 THRU ZH8823

ZH8824

ZH8826

ZH8827

| PRODUCT NUMBER | CONNECTIONS | EXT. | MASTER CARTON | WEIGHT CARTON | |
|-------------------|----------------------------|------|---------------|---------------|------|
| | | | | LR | LRLK |
| ZH8820-XL-LR-PC | 3/8 [10] IPS x 3/8 [10] OD | - | 25 | 30 | |
| ZH8820-XL-LRLK-PC | 3/8 [10] IPS x 3/8 [10] OD | - | 25 | | 33 |
| ZH8822-XL-LR-PC | 1/2 [13] IPS x 3/8 [10] OD | - | 25 | 30 | |
| ZH8822-XL-LRLK-PC | 1/2 [13] IPS x 3/8 [10] OD | - | 25 | | 33 |
| ZH8823-XL-LR-PC | 1/2 [13] IPS x 1/2 [13] OD | - | 25 | 30 | |
| ZH8823-XL-LRLK-PC | 1/2 [13] IPS x 1/2 [13] OD | - | 25 | | 33 |
| ZH8824-XL-LR-PC | 1/2 [13] NOM x 3/8 [10] OD | - | 25 | 30 | |
| ZH8824-XL-LRLK-PC | 1/2 [13] NOM x 3/8 [10] OD | - | 25 | | 33 |
| ZH8826-XL-LR-PC | 1/2 [13] SWT x 3/8 [10] OD | - | 25 | 30 | |
| ZH8826-XL-LRLK-PC | 1/2 [13] SWT x 3/8 [10] OD | - | 25 | | 33 |
| ZH8827-XL-LR-PC | 1/2 [13] SWT x 3/8 [10] OD | 5 | 25 | 40 | |
| ZH8827-XL-LRLK-PC | 1/2 [13] SWT x 3/8 [10] OD | 5 | 25 | | 42 |

SUFFIXES

- | | | | |
|--------------------|---|-------------------|---------------------|
| _____ - A | Single supply option | _____ - 3 | 3[76] Nipple |
| _____ - CE | Chrome Plated, Cast Brass, Flange with setscrew | _____ - 5 | 5[127] Nipple |
| _____ - D | Chrome Plated Steel, Deep Bell Flange (Bell Type) | _____ - 15 | 15[381] Supply tube |
| _____ - HC1 | Heavy-duty line lock shield cap | _____ - 20 | 20[508] Supply tube |
| _____ - XP | Cross Handle | | |

ZURN INDUSTRIES, LLC. ♦ COMMERCIAL BRASS OPERATION ♦ 5900 ELWIN BUCHANAN DRIVE ♦ SANFORD NC 27330

Phone: 1-800-997-3876 ♦ Fax: 919-775-3541 ♦ World Wide Web: www.zurn.com

In Canada: ZURN INDUSTRIES LIMITED ♦ 3544 Nashua Drive ♦ Mississauga, Ontario L4V1L2 ♦ Phone: 905-405-8272 Fax: 905-405-1292