



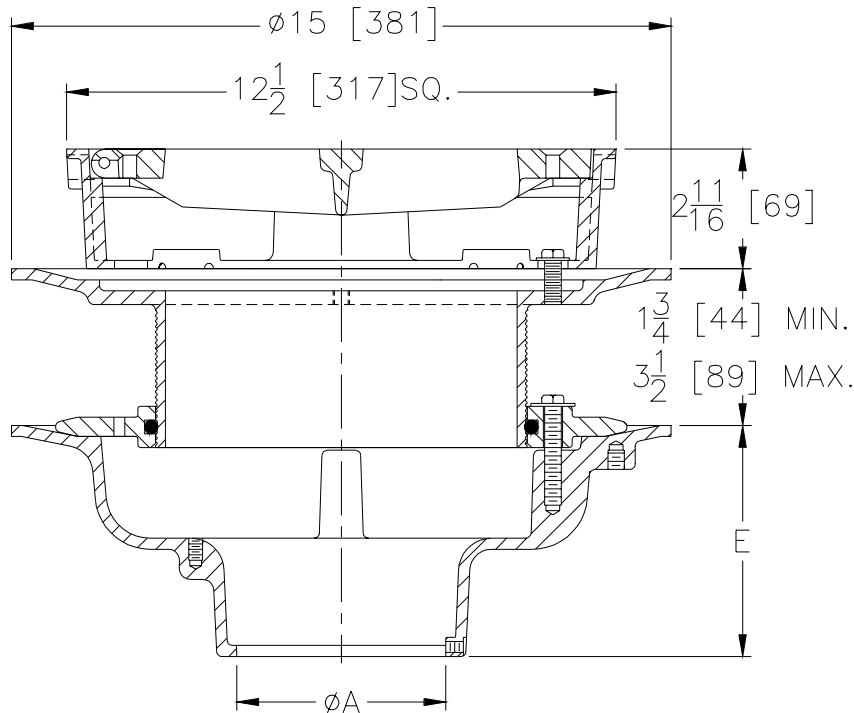
Z-610-H-ADJ
12" [305] HEAVY-DUTY ADJUSTABLE DRAIN

SPECIFICATION SHEET

TAG _____



Dimensional Data (inches and [mm]) are Subject to Manufacturing Tolerances and Change Without Notice



A Pipe Size Inches / [mm]	Approx. Wt. Lbs. / [kg]	Grate Open Area Sq. In. / [sq cm]
2-3-4-5-6 [51-76-102-127-152]	72 [33]	40 [258]
8 [203]		

ENGINEERING SPECIFICATION: ZURN Z-610-H-ADJ
 12" [305] square top adjustable floor drain, Dura-Coated cast iron bottom outlet body, clamping collar, adjustable leveling frame, with heavy-duty cast iron hinged slotted grate.

OPTIONS (Check/specify appropriate options)

PIPE SIZE

- 2-6,8 [50-152,203]
- 2,3,4,6 [50,75,100,152]
- 2-6,8 [50-152,203]
- 2-6,8 [50-152,203]
- 2,3,4 [50,75,100]

(Specify size/type) **OUTLET**

- _____ IC Inside Caulk
- _____ IG Inside Gasket
- _____ IP Threaded
- _____ NH No-Hub
- _____ NL Neo-Loc

E BODY HT. DIM.

- 5-1/4" [133]
- 5-1/4" [133]
- 3-3/4" [95]
- 5-1/4" [133]
- 4 5/8" [117]

PREFIXES

- _____ Z- D.C.C.I. Body with Grate*
 - _____ ZN- D.C.C.I. Body with Polished Nickel Bronze Top*
- *Add 3/16" [5] to Min./Max. Dimension

SUFFIXES

- | | |
|---|---|
| _____ -AR Acid-Resisting Epoxy Coated Cast Iron | _____ -S Secondary Strainer |
| _____ -DG Duresist Grate | _____ -VP Vandal-Proof Secured Top |
| _____ -DS Deep Sump Body | _____ -Y Sediment Bucket |
| _____ -G Galvanized Cast Iron | _____ -90 90° Threaded Side Outlet Body (IP or NH only) |
| _____ -HL Hinged Locking Grate | |
| _____ -P 1/2" [13] Trap Primer Connection | |

REV. A	DATE: 1/3/01	C.N. NO. 83378
DWG. NO. 63666	PRODUCT NO. Z-610-H-ADJ	

*REGULARLY FURNISHED UNLESS OTHERWISE SPECIFIED